



# 2023

## Embedded Computing System Selection Guide

[www.jetwayipc.com](http://www.jetwayipc.com)



捷波資訊股份有限公司  
JETWAY INFORMATION CO., LTD.

# Introduction



## *Genuine and Trusty, Professional Jetway*

Jetway Information Co., Ltd. was established in Taipei, Taiwan 1986, is a world-leading innovator and manufacturer, by providing wide-range PC peripheral solutions and services to meet customers' needs.

Jetway entered the Industrial PC market in 2005 by developing Single-Board Computers and non-PC platforms with our expertise, Jetway has built a well-known reputation at IPC markets. Jetway IPC solution products has been successfully phased-in to several applications: points of sales (POS), Kiosk and Digital signage, Surveillance system, Industrial Automation, Health Care Terminals, Gaming and Amusement Industrial, Residential control, Transportation, Military, In-Car System, Tele- Communication, Banking/ATM, Storage...etc.



## *Dedicated in Perfection, and Creative Jetway!*

More than 100 highly qualified engineers support with our experienced sales teams, global business units and partners to create solutions that meet our customer's application demand, Jetway's product longevity, professional engineering, fast support, and value-added services, helps create a sustainable and viable embedded solution for OEMs and system integrators.

Jetway offers comprehensive system integration, hardware, software, customer-centric design services, and global logistics support. Jetway's mission is to offer you an accelerated time-to-market, reduced total-cost-of-ownership and an improved overall application with leading-edge, highly-reliable embedded technology.



## *"Stay modest, keep moving on."*

We emphasize value, quality and service. Starting from the design stage, we focus on the value that can be integrated into products. You will always find Jetway products delivering high performance, rich features, and good cost structure. Quality cannot be more over-emphasized more in Jetway. It begins from the design phase. All the processes care consistence and Service is the number one priority in Jetway. It is a package of various supports that we offer to our partners. It includes in-time market information, product update, prompt delivery, flexible production, quick time-to-market cycle, fast RMA and warranty, local warehouse, convenient on-site service, and around the clock technical support.

# HBJC400P93-2930-B

Features **intel** **FC** **CE** **RoHS**  
COMPLIANT

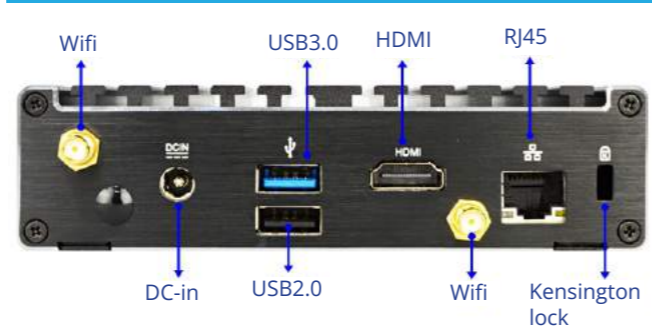
- Intel® Bay Trail-M N2930 Processor
- Onboard 2GB DDR3L 1333MHz SDRAM
- 1\* HDMI, 1\* GbE, 1\* USB3.0, 1\* USB2.0
- M/B Form Factor : PICO (100x72mm)
- DC-12V\_40W Adapter



## Front IO



## Rear IO



## Specifications

<b>Processor</b>	Intel® Bay Trail-M N2930 Processor	<b>Power</b>	12V DC Power in DC-12V_40W Adapter
<b>Chipset</b>	SoC	<b>Temperature</b>	Operating : 0°C~50°C Storage : -10°C~70°C
<b>Memory</b>	Onboard 2GB DDR3L 1333MHz SDRAM	<b>Dimension</b>	78.4(D) x 129(W) x 34(H)mm
<b>Ethernet</b>	1* Realtek RTL8111G GbE		
<b>Display Output</b>	1* HDMI		
<b>Storage</b>	1* mSATA		
<b>Expansion Slot</b>	1* mSATA SSD		
<b>Front I/O</b>	1* Power LED, 1* Power Button		
<b>Rear I/O</b>	1* GbE, 1* 12V DC jack, 1* HDMI, 1* USB3.0, 1* USB2.0		

\*The Specification may be changed without further notice.  
www.jetwayipc.com

# HBJC400P691-420B

Features **intel** **FC** **CE** **RoHS**  
COMPLIANT

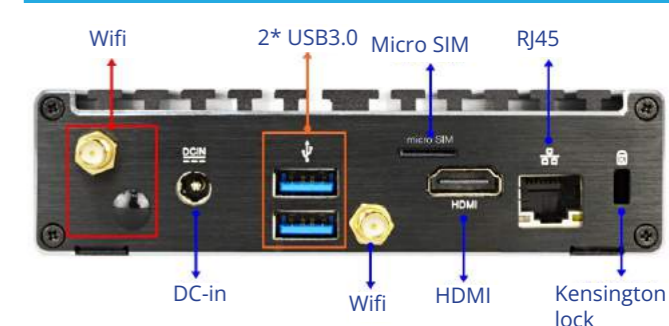
- Intel® Apollo Lake N4200 SoC Processor
- 1\* DDR3L 1866MHz SO-DIMM up to 8GB
- 2\* USB3.0, 1\* GbE, 1\* HDMI, 1\* Micro SIM
- Support M.2 (M-key, SATA interface, 2242) storage
- M/B Form Factor : PICO (100x72mm)
- DC-12V\_40W Adapter



## Front IO



## Rear IO



## Specifications

<b>Processor</b>	Intel® Apollo Lake N4200Processor	<b>Power</b>	12V DC Power in DC-12V_40W Adapter
<b>Chipset</b>	SoC	<b>Temperature</b>	Operating : 0°C~50°C Storage : -10°C~70°C
<b>Memory</b>	1* DDR3L 1866MHz SO-DIMM up to 8GB	<b>Dimension</b>	78.4(D) x 129(W) x 34(H)mm
<b>Ethernet</b>	1* Realtek RTL8111H GbE		
<b>Display Output</b>	1* HDMI		
<b>Storage</b>	1* M.2 (M-key, 2242)		
<b>Expansion Slot</b>	1* Full-size mini-PCIe slot (for 802.11 b/g/n + BT 4.0 installed in WIFI model)		
<b>Front I/O</b>	1* Power LED, 1* Power Button		
<b>Rear I/O</b>	2* USB, 3.0, 1* HDMI, 1* RJ45, 1* Micro SIM Card slot, 1* Kensington lock, 3* Antenna holes, 1* DC jack		

\*The Specification may be changed without further notice.  
www.jetwayipc.com

PICO-ITX  
NUC  
3.5"  
Mini-ITX  
Desktop  
Network  
Expand  
WT  
WV  
Hummer  
Rackmount  
ARM

PICO-ITX  
NUC  
3.5"  
Mini-ITX  
Desktop  
Network  
Expand  
WT  
WV  
Hummer  
Rackmount  
ARM

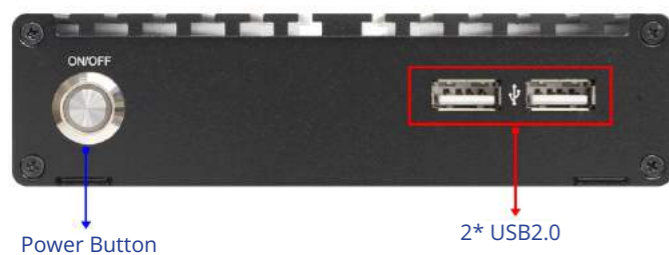
# HBJC420P691-345N

Features **intel** **FC** **CE** **RoHS**  
COMPLIANT

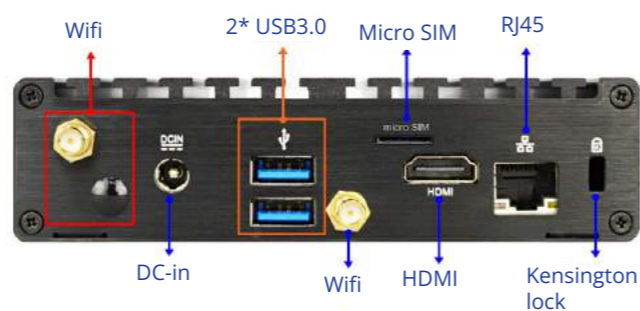
- Intel® Apollo Lake J3455 SoC Processor
- 1\* DDR3L 1866MHz SO-DIMM Up to 8 GB
- 1\* HDMI, 2\* USB 3.0, 2\* USB 2.0, 1\* RJ45, 1\* Micro SIM card slot
- 1\* Mini PCIe (full size), 1\* M.2 M-key (2242)
- 12V DC-in



## Front IO



## Rear IO



## Specifications

<b>Processor</b>	Intel® Apollo Lake J3455 Processor	<b>Power</b>	12V DC Power in DC-12V_40W Adapter
<b>Chipset</b>	SoC	<b>Temperature</b>	Operating : 0°C~50°C Storage : -20°C~80°C
<b>Memory</b>	1* DDR3L 1866MHz SO-DIMM slot up to 8GB		
<b>Ethernet</b>	1* Realtek RTL8111H GbE		
<b>Display Output</b>	1* HDMI		
<b>Storage</b>	1* M.2 M-key (2242, SATA interface)	<b>Dimension</b>	129 (W) x 109.4 (D) x 34 (H) mm
<b>Expansion Slot</b>	1* Full-size Mini-PCIE slot (for WIFI model)		
<b>Front I/O</b>	1* Power LED, 1* Power button, 2* USB2.0		
<b>Rear I/O</b>	2* USB 3.0, 1* HDMI, 1* RJ45, 1* Micro SIM card slot, 1* Kensington lock, 2* Antenna holes, 1* DC-in jack		

\*The Specification may be changed without further notice.  
www.jetwayipc.com

# HBFBP01-6210-B

Features **intel** **FC** **CE** **RoHS**  
COMPLIANT

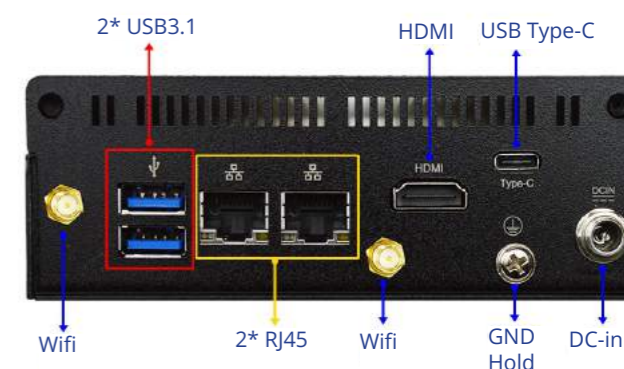
- Intel Elkhart Lake SoC Processor
- 1\* DDR4 3200MHz SO-DIMM up to 32GB
- 1\* HDMI, 2\* USB3.1, 1\* USB-C, 2\* RJ45, 1\* COM
- Support 9~36V wide voltage input
- DC12V\_40W Adapter



## Front IO



## Rear IO



## Specifications

<b>Processor</b>	Intel® Elkhart Lake Processor	<b>Power</b>	12V DC Power in DC-12V_40W Adapter
<b>Chipset</b>	SoC	<b>Temperature</b>	Operating : -20°C~60°C Storage : -20°C~60°C
<b>Memory</b>	1* DDR4 3200MHz SO-DIMM up to 32GB		
<b>Ethernet</b>	2* RJ45		
<b>Display Output</b>	1* HDMI		
<b>Storage</b>	1* M.2 M-key (2242, PCIe Gen.3 x2/SATA interface) support NVMe	<b>Dimension</b>	125 (W) x 109 (D) x 44.5 (H) mm
<b>Expansion Slot</b>	1* M.2 E-key (2230, PCIe Gen.3 x1/USB2.0 interface)		
<b>Front I/O</b>	1* Power button, Power LED, 1* RS232/422/485		
<b>Rear I/O</b>	2* RJ45, 1* DC-in, 1* HDMI, 2* USB3.1(Gen.2) A Type, 1* USB3.1(Gen.2) C Type		

\*The Specification may be changed without further notice.  
www.jetwayipc.com

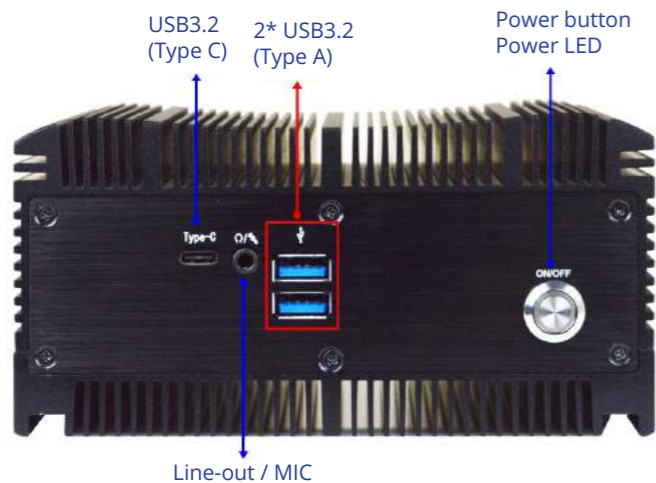
# HBJC330U10-1145G7

Features **intel** **FC** **CE** **RoHS**  
COMPLIANT

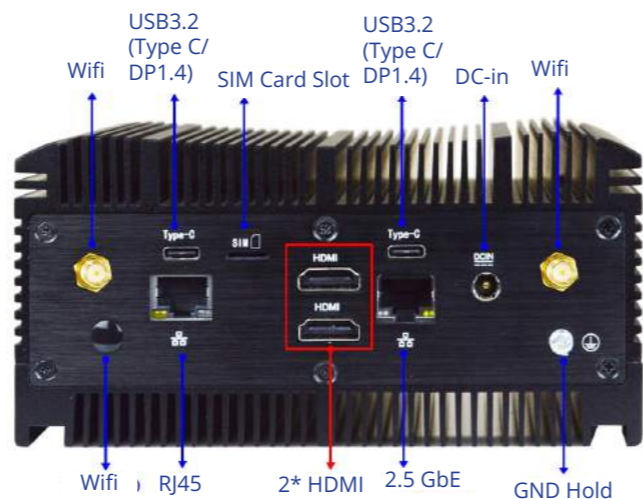
- Intel® Tiger Lake-UP3 SoC Processor (TDP 15W)
- 2\* DDR4 3200MHz SO-DIMM up to 64GB
- 1\* Intel i219-LM GbE, 1\* Intel i225-V 2.5GbE
- 1\* M.2 M-key 2242/2280 support NVMe, 1\* M.2 E-key 2230 Support CNVi, 1\* M.2 B-key 3042/3052
- 2\* HDMI, 2\* DP1.4 (from USB3.2 (Gen.2) Type-C)
- Support Fanless cooling design
- TPM 2.0 (option)



## Front IO



## Rear IO



## Specifications

<b>Processor</b>	Intel® Tiger Lake-UP3 i5-1135G7 Processor (TDP 15W)	<b>Power</b>	12~24V DC Power in DC-12V_90W Adapter
<b>Chipset</b>	SoC	<b>Temperature</b>	Operating : -10°C~50°C Storage : -20°C~60°C
<b>Memory</b>	2* DDR4 3200MHz SO-DIMM up to 64GB		
<b>Ethernet</b>	1* Intel i219-LM GbE, 1* Intel i225-V 2.5GbE		
<b>Display Output</b>	2* HDMI 2.0b, 2* DP1.4		
<b>Storage</b>	1* M.2 M-key 2242/2280 support NVMe, 1 * 2.5" SATAIII Device	<b>Dimension</b>	150.0 (W) x 109.2 (D) x 75.0 (H) mm
<b>Expansion Slot</b>	M.2 E-key 2230 (USB2.0/PClex1 interface) support CNVi, M.2 B-key 3042/3052 (USB3.1/USB2.0/PClex1 interface)		
<b>Front I/O</b>	1* Audio Jack (Line out + MIC), 2* USB3.2 / A Type, 1* USB3.2 / C Type, 1* Power Button + LED		
<b>Rear I/O</b>	2* USB3.2 / C Type (Support DP1.4), 1* SIM Card slot, 2* HDMI, 2* RJ45, 1* DC Jack		

\*The Specification may be changed without further notice.  
www.jetwayipc.com

# HBJC313U591-316R

Features **intel** **FC** **CE** **RoHS**  
COMPLIANT

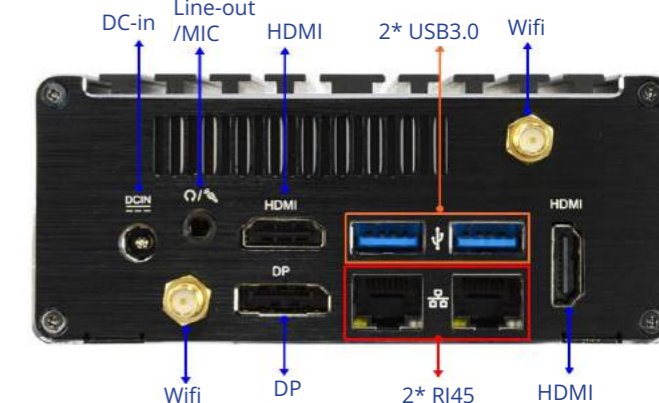
- Intel® Braswell N3160 SoC Processor 1.6GHz (up to 2.24GHz)
- Support 1\* DDR3L-1600MHz SO-DIMM up to 8GB
- 2\* Realtek RTL8119I GbE
- 1\* COM, 1\* SIM card holder, 1\* half size Mini PCIe slot (for mini-PCIe WiFi module)
- 2\* HDMI, 1\* DP, support Triple Independent Displays
- 12V DC-in, DC12V\_40W Adapter



## Front IO



## Rear IO



## Specifications

<b>Processor</b>	Intel® Braswell N3160 Processor 1.6GHz (up to 2.24GHz) (TDP 6W)	<b>Power</b>	12V DC Power in DC-12V_40W Adapter
<b>Chipset</b>	SoC	<b>Temperature</b>	Operating : 0°C~50°C Storage : -10°C~70°C
<b>Memory</b>	1* DDR3L 1600MHz SO-DIMM up to 8GB		
<b>Ethernet</b>	2* Realtek RTL8119I GbE		
<b>Display Output</b>	2* HDMI, 1* DP		
<b>Storage</b>	1* mSATA (Shared with full size Mini PCIe)	<b>Dimension</b>	116 (W) x 110 (D) x 49 (H) mm
<b>Expansion Slot</b>	1* Mini-PCIe (Half size), 1* SIM card holder (Internal)		
<b>Front I/O</b>	2* USB 3.0, 1* COM (Max), 1* Power button, 1* Power LED		
<b>Rear I/O</b>	2* USB 3.0, 2* HDMI, 1* DP, 2* RJ45, 1* Line-out/MIC Combo, 1* DC-in jack		

\*The Specification may be changed without further notice.  
www.jetwayipc.com

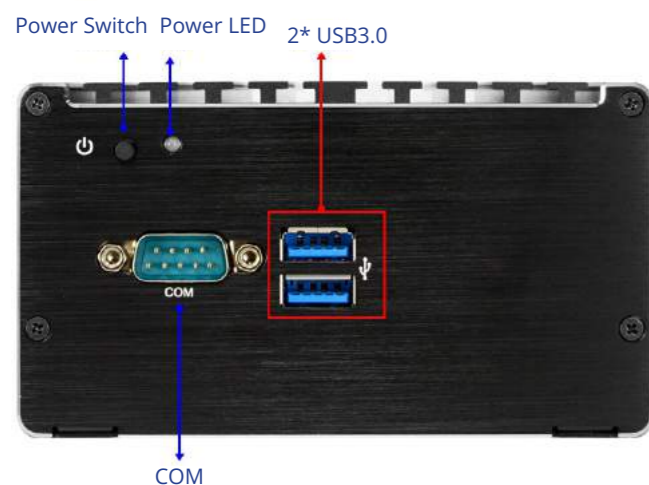
# HBJC323U591-3160B

Features **intel** **FC** **CE** **RoHS**  
COMPLIANT

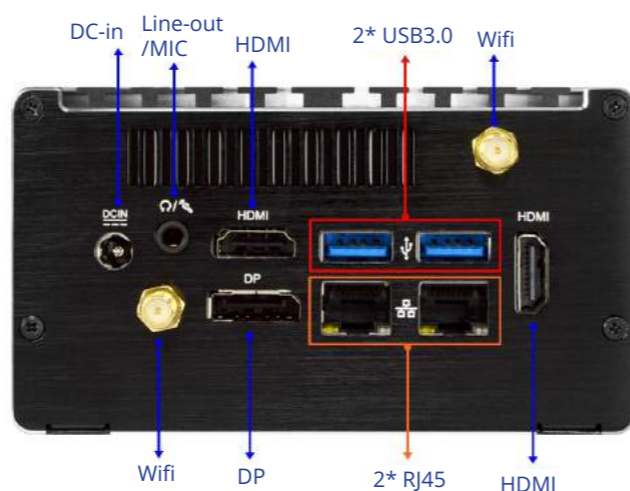
- Intel® Braswell N3160 Processor
- 1\* DDR3L 1600MHz SO-DIMM up to 8GB
- 1\* COM, 2\* HDMI, 1\* DP, 2\* RJ45, 4\* USB 3.0, 1\* 2.5" Device
- M/B Form Factor : NUC (101x101mm)
- DC-12V\_40W Adapter



## Front IO



## Rear IO



## Specifications

<b>Processor</b>	Intel® Braswell N3160 Processor	<b>Power</b>	12V DC Power in DC-12V_40W Adapter
<b>Chipset</b>	SoC		
<b>Memory</b>	1* DDR3L 1600MHz SO-DIMM up to 8GB	<b>Temperature</b>	Operating : 0°C~50°C Storage : -10°C~70°C
<b>Ethernet</b>	2* Intel i211AT GbE		
<b>Display Output</b>	2* HDMI, 1* DP		
<b>Storage</b>	1* mSATA (full size), 1* 2.5" Device	<b>Dimension</b>	110(D) x 116(W) x 65(H) mm
<b>Expansion Slot</b>	1* Mini PCI Express (half size), 1* SIM Card Slot		
<b>Front I/O</b>	2* USB 3.0, 1* COM 1* Power LED, 1* Power Button		
<b>Rear I/O</b>	2* USB 3.0, 2* HDMI, 1* DP, 1* Line out + MIC, 2* RJ45, 1* DC Jack		

\*The Specification may be changed without further notice.  
www.jetwayipc.com

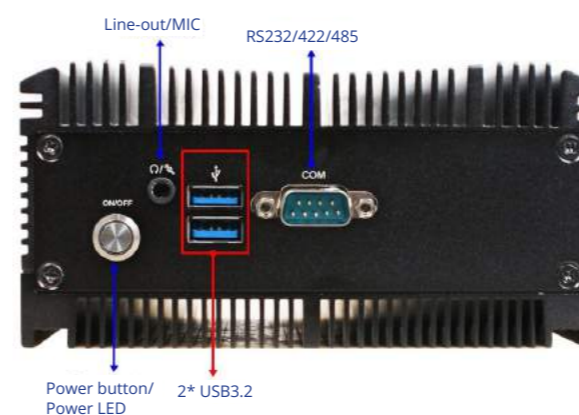
# HBJC330U95V Series

Features **intel** **FC** **CE** **RoHS**  
COMPLIANT

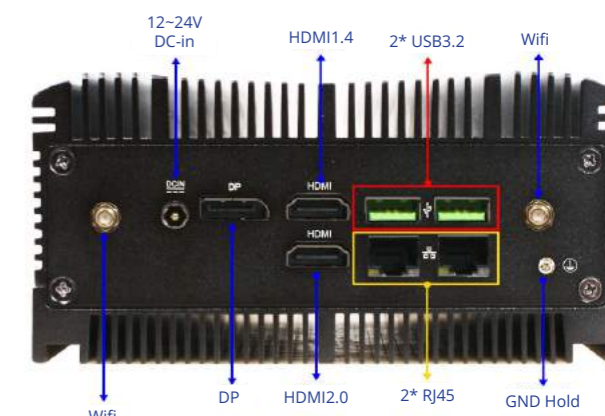
- Intel® Comet Lake i5-10210U 1.6G QC Processor
- Support Dual Channel DDR4 2666MHz up to 64GB
- 1\* Intel® I219LM GbE, 1\* Intel® I225-V 2.5GbE
- 1\* M.2 (M-key, SATA interface), 1\* M.2 (E-key, support CNVi)
- 1\* RS232/RS422/485, 4\* USB3.2
- 1\* DP, 2\* HDMI
- 12V DC-in



## Front IO



## Rear IO



## Specifications

<b>Processor</b>	Intel® Comet Lake i5-10210U 1.6G QC Processor	<b>Power</b>	12V DC Power in DC-19V_120W Adapter
	Intel® Comet Lake 5205U Porcessor		
<b>Chipset</b>	SoC		
<b>Memory</b>	2* DDR4 2666MHz SO-DIMM up to 64GB	<b>Temperature</b>	Operating : -10°C~50°C Storage : -20°C~60°C
<b>Ethernet</b>	1* Intel® I219LM GbE, 1* Intel® I225-V 2.5GbE		
<b>Display Output</b>	1* HDMI1.4, 1* HDMI2.0, 1* DP		
<b>Storage</b>	1* M.2 (M-Key, 2242, SATA interface)	<b>Dimension</b>	150 (W) x 106 (D) x 75 (H) mm
<b>Expansion Slot</b>	N/A		
<b>Front I/O</b>	1* Audio Jack (Line out +MIC), 2* USB3.2 (Gen2), 1* RS232/422/485, 1* Power Button		
<b>Rear I/O</b>	2 * USB3.2 (Gen2), 1 * DP1.4, 1 * HDMI2.0, 1 * HDMI1.4, 2 * RJ45, 1 * DC Jack		

\*The Specification may be changed without further notice.  
www.jetwayipc.com

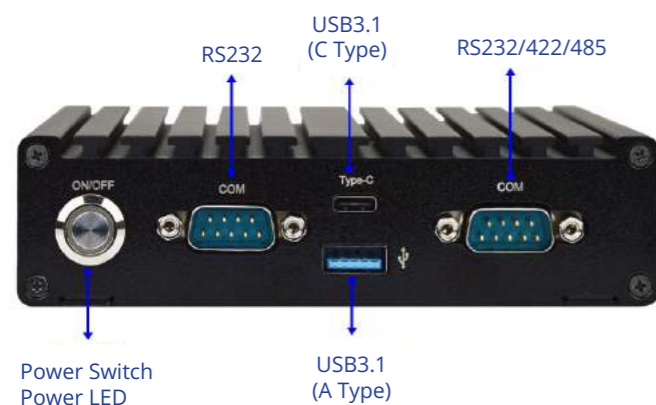
# HBJC420U11-4125B

Features **intel** **FC** **CE** **RoHS**  
COMPLIANT

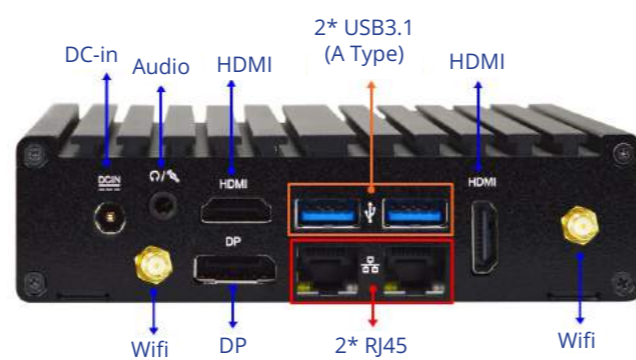
- Intel® Gemini Lake-R J4125 Soc Processor
- 1\* DDR4 2400MHz SO-DIMM up to 8GB
- 1\* M.2-2242 slot (M-key), 1\* M.2-2230 slot (E-key)
- 2\* HDMI, 1\* DP
- 2\* GbE, 3\* USB 3.1(A-Type), 1\* USB3.1(C-Type), 2\* COM, 1\* Audio
- DC12V/40W Adapter



## Front IO



## Rear IO



## Specifications

<b>Processor</b>	Intel® Gemini Lake J4125 2.0GHz Quad Core MCP processor (10W)	<b>Power</b>	12V DC Power in DC-12V_40W Adapter
<b>Chipset</b>	SoC		
<b>Memory</b>	1* DDR4 2400MHz up to 8GB	<b>Temperature</b>	Operating : -10°C~50°C Storage : -20°C~60°C
<b>Ethernet</b>	2* Realtek RTL8119I GbE		
<b>Display Output</b>	1* DP, 2* HDMI 2.0		
<b>Storage</b>	1* SATAIII (6 Gb/s), 1* M.2 M-key (2242 W/ SATA interface)	<b>Dimension</b>	129 (W) x 109.4 (D) x 34 (H) mm
<b>Expansion Slot</b>	M.2 E-Key (2230, CNVi/PCIe/USB2.0)		
<b>Front I/O</b>	1* Power button/LED, 1* USB 3.1(A Type), 1* USB 3.1(C Type), 2* COM		
<b>Rear I/O</b>	2* RJ45, 2* HDMI, 1* DP, 1* Audio combo, 1* DC-in Jack		
	Internal: 1* 32GB eMMC onboard option		

\*The Specification may be changed without further notice.  
www.jetwayipc.com

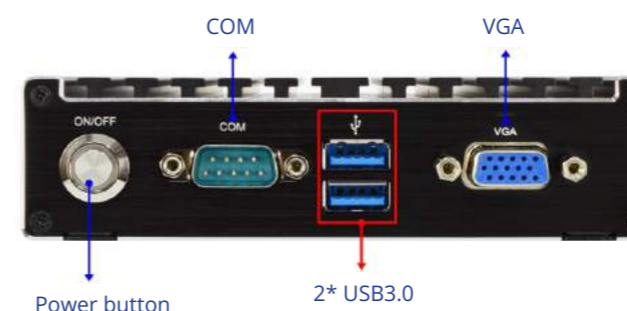
# HBJC420U691-345B

Features **intel** **FC** **CE** **RoHS**  
COMPLIANT

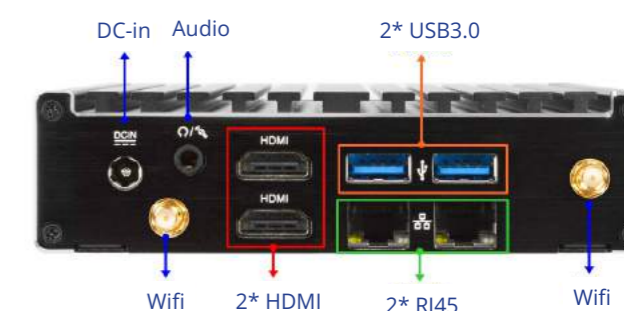
- Intel® Apollo Lake J3455 SoC Processor
- 1\* DDR3L 1866MHz SO-DIMM up to 8 GB
- 4\* USB 3.0, 1\* Line-Out/ MIC, 2\* HDMI, 1\* VGA, 2\* RJ45, 1\* COM
- DC-12V\_40W Adapter



## Front IO



## Rear IO



## Specifications

<b>Processor</b>	Intel® Apollo Lake J3455 SoC Processor	<b>Power</b>	12V DC Power in DC-12V_40W Adapter
<b>Chipset</b>	SoC		
<b>Memory</b>	1* DDR3L 1866MHz SO-DIMM up to 8GB	<b>Temperature</b>	Operating : 0°C~50°C Storage : -10°C~70°C
<b>Ethernet</b>	2* Realtek RTL8111H GbE		
<b>Display Output</b>	2* HDMI, 1* VGA		
<b>Storage</b>	1* mSATA (full size)	<b>Dimension</b>	129(W) x 109.4(D) x 34(H) mm
<b>Expansion Slot</b>	1* Mini PCI Express (half size), 1* SIM Card Slot		
<b>Front I/O</b>	2* USB 3.0, 1* VGA, 1* COM 1* Power LED, 1* Power Button		
<b>Rear I/O</b>	2* USB 3.0, 2* HDMI, 2* RJ45, 1* Line-out+Mic-in, 1* DC Jack		

\*The Specification may be changed without further notice.  
www.jetwayipc.com

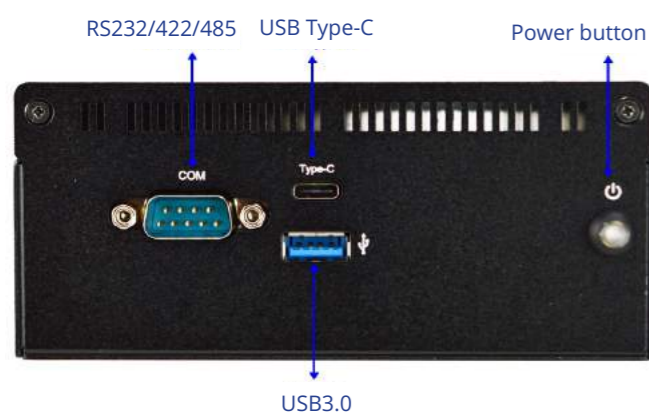
# HBFBU02 Series

Features **intel** **FC** **CE** **RoHS**  
COMPLIANT

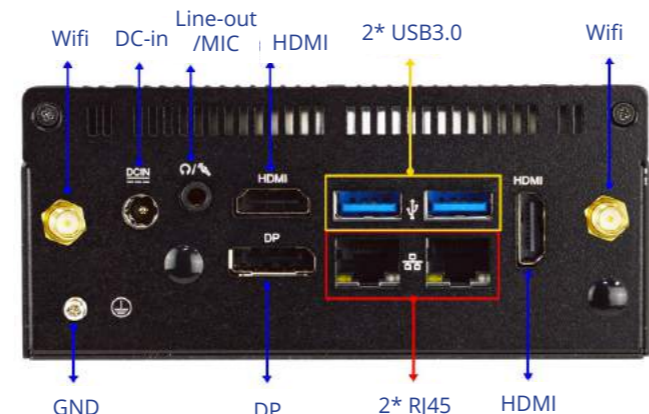
- Intel® Apollo Lake J3455 SoC Processor
- 1\* DDR3L SO-DIMM up to 8GB
- 1\* DP, 2\* HDMI
- 3\* USB3.0, 1\* USB type-C, 2\* GbE, 1\*Audio, 1\* RS232/422/485
- M/B Form Factor : NUC (101x101mm)
- DC-12V\_40W Adapter



## Front IO



## Rear IO



## Specifications

<b>Processor</b>	Intel® Apollo Lake J3455 SoC Processor	<b>Power</b>	12V DC Power in DC-12V_40W Adapter
<b>Chipset</b>	SoC		
<b>Memory</b>	1* DDR3L 1866MHz SO-DIMM up to 8GB	<b>Temperature</b>	Operating : 0°C~50°C Storage : -10°C~70°C
<b>Ethernet</b>	1* Realtek RTL8111K GbE, 1* RTL8125BS 2.5GbE		
<b>Display Output</b>	1* HDMI, 1* DP		
<b>Storage</b>	1* M.2 (M-key 2242, SATA interface), 32GB eMMC	<b>Dimension</b>	125 (W) x 109.2 (D) x 55.5(H) mm
<b>Expansion Slot</b>	1* M.2 (E-key 2230, PCIe x1 interface)		
<b>Front I/O</b>	1 * USB 3.0, 1* USB type-C, 1* COM (RS232/422/485), 1* power button		
<b>Rear I/O</b>	2* USB 3.0, 2* HDMI, 1* DP, 2* GbE, 1* GND hold, 1* Line-out/MIC combo, 1* DC-in jac		

\*The Specification may be changed without further notice.  
www.jetwayipc.com

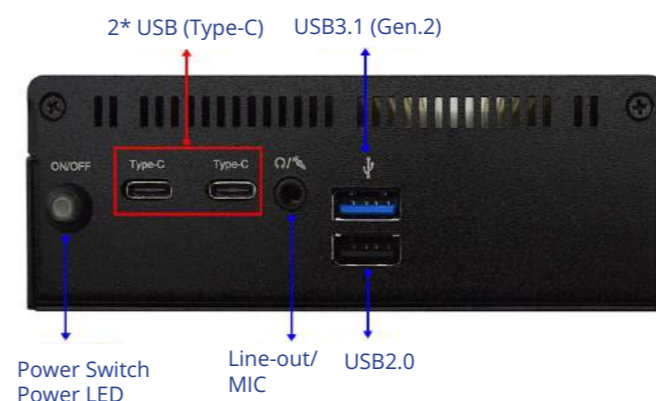
# HBFBU03-6412-B

Features **intel** **FC** **CE** **RoHS**  
COMPLIANT

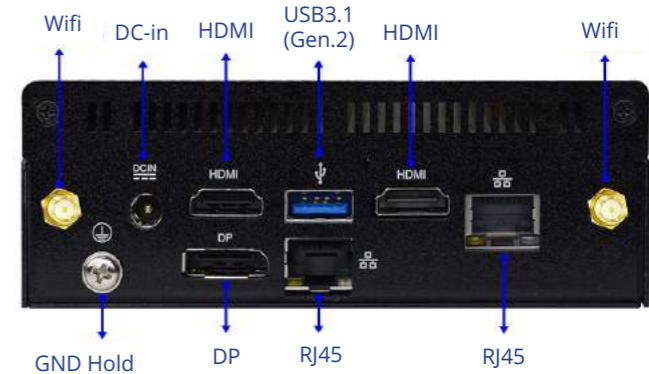
- Intel Elkhart Lake SoC Processor
- 1\* DDR4 3200MHz SO-DIMM up to 32GB
- 2\* HDMI, 1\* DP
- 2\* USB3.1 (Gen.2), 1\* USB2.0, 2\* USB TypeC, 2\* RJ45, 1\* Audio (MIC + Line-out)
- M/B Form Factor: NUC (101x101mm)
- DC12V\_40W Adapter



## Front IO



## Rear IO



## Specifications

<b>Processor</b>	Intel® Elkhart Lake J6412 Processor	<b>Power</b>	12V DC Power in DC-12V_40W Adapter
<b>Chipset</b>	SoC		
<b>Memory</b>	1* DDR4 3200MHz SO-DIMM up to 32GB	<b>Temperature</b>	Operating : -20°C~60°C Storage : -20°C~80°C
<b>Ethernet</b>	2* Intel i255V 2.5GbE		
<b>Display Output</b>	1* DP, 2* HDMI 2.0		
<b>Storage</b>	1* M.2 M-key (2260/2280) support NVME 32GB eMMC onboard	<b>Dimension</b>	125 (W) x 109.2 (D) x 44.5 (H) mm
<b>Expansion Slot</b>	1* M.2 E-key (2230, PCIe Gen.3 x1/USB2.0 interface)		
<b>Front I/O</b>	1* Power button + Power LED, 2* USB(TypeC), 1* Audio(Line out+MIC), 1* USB2.0, 1* USB3.1(Gen.2)		
<b>Rear I/O</b>	2* RJ45, 1* DP, 1* DC-in, 2* HDMI, 1* USB3.1(Gen.2)		

\*The Specification may be changed without further notice.  
www.jetwayipc.com



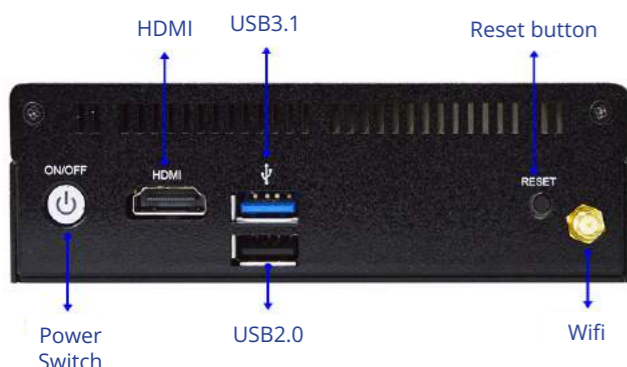
# HBFBZ10 Series

Features **intel** **FC** **CE** **RoHS**  
COMPLIANT

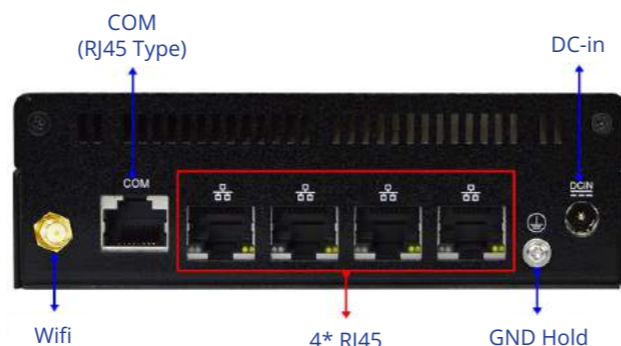
- Intel® Elkhart Lake SoC Processor
- 1 \* DDR4 3200MHz SODIMM up to 32GB
- 4 \* 2.5GbE
- Support TPM2.0
- 2 \* USB , 1\* HDMI, 1 \* COM (RJ45 type)
- 1 \* M.2-2242, 1 \* M.2-2230, 1 \* M.2-3042
- 12V DC-in



## Front IO



## Rear IO



## Specifications

<b>Processor</b>	Intel® Elkhart Lake J6412 Processor	<b>Power</b>	DC12V input DC-12V_40W Adapter
<b>Chipset</b>	SoC		
<b>Memory</b>	1* DDR4 3200MHz SO-DIMM up to 32GB	<b>Temperature</b>	Operating : -20°C~60°C Storage : -20°C~80°C
<b>Ethernet</b>	4* Intel i225V 2.5GbE		
<b>Display Output</b>	1* HDMI 2.0		
<b>Storage</b>	1* M.2 M-key (2242, PCIe Gen.3 x2/SATA interface) support NVME, (co-layout M.2 B-key)	<b>Dimension</b>	125 (W) x 109 (D) x 39.5 (H) mm
<b>Expansion Slot</b>	1* M.2 E-key (2230, PCIe Gen.3 x1/USB2.0 interface), 1* M.2 B-key (3042/3052, USB3.1 interface)		
<b>Front I/O</b>	1* Power button + Power LED, 1* Reset, 1* USB3.1, 1* USB2.0, 1* HDMI		
<b>Rear I/O</b>	4* RJ45, 1* COM (RJ45 type), 1* DC-in jack		
	Internal: 32GB eMMC onboard (by model), 1* SIM card holder		

\*The Specification may be changed without further notice.  
www.jetwayipc.com

# N11 Series

Features **intel** **FC** **CE** **RoHS**  
COMPLIANT

- Intel® 11th Gen. Tiger Lake-UP3 SoC Processor
- 2\* DDR4 3200MHz SO-DIMM up to 64GB
- Rich and complete connection interface, supports 4 sets of 4K HDR or 1\* 8K output
- 3\* internal M.2 expansion slots for various applications



## Front IO



## Rear IO



## Specifications

<b>Processor</b>	Intel® Tiger Lake-UP3 Processor	<b>Power</b>	DC12~24V input DC12V_90W Adapter
<b>Chipset</b>	SoC		
<b>Memory</b>	2* DDR4 3200MHz up to 64GB	<b>Temperature</b>	Operating : -10°C~50°C Storage : -20°C~60°C
<b>Ethernet</b>	1* Intel i219-LM GbE, 1* Intel i225-V 2.5GbE		
<b>Display Output</b>	2* HDMI 2.0b, 2* DP1.4		
<b>Storage</b>	1* M.2 M-key (2242/2280) support NVMe 1* 2.5" SATA Device	<b>Dimension</b>	121 (W) x 113.4 (D) x 59 (H) mm
<b>Expansion Slot</b>	1* M.2 E Key 2230 for WiFi module, 1* M.2 B Key 3042/3052 for 4G/5G module		
<b>Front I/O</b>	1* Audio (Line out +MIC combo), 2* USB3.2 / A type (Gen.2), 1* USB3.2 / C type (Gen.2), 1* Power Button, 1* Power LED		
<b>Rear I/O</b>	2* USB3.2 (Gen.2) Type-C support DP1.4 display output, 1* SIM Card slot, 2* HDMI 2.05, 2* RJ45, 1* DC Jack		

\*The Specification may be changed without further notice.  
www.jetwayipc.com

PICO-ITX  
NUC  
3.5"  
Mini-ITX  
Desktop  
Network  
Expand  
WT  
WV  
Hummer  
Rackmount  
ARM

PICO-ITX  
NUC  
3.5"  
Mini-ITX  
Desktop  
Network  
Expand  
WT  
WV  
Hummer  
Rackmount  
ARM

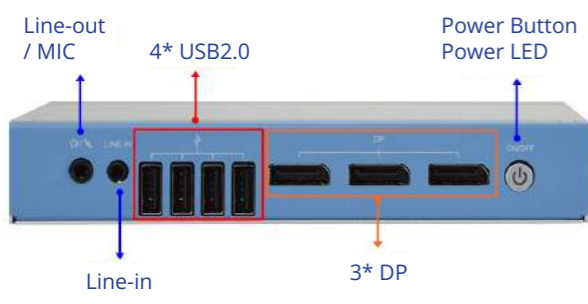
# HB368F21-6210-S

Features **intel** **FC** **CE** **RoHS**  
COMPLIANT

- Intel Elkhart Lake SoC Processor
- 1\* DDR4 3200MHz SO-DIMM up to 32GB
- 2\* USB3.1 (Gen.2), 4\* USB2.0, 2\* RJ45, 1\* Audio (MIC + Line-out), 1\* Line-IN, 3\* DP, 2\* COM, 1\* GPIO
- Support TPM2.0 (option)
- 160.2\*106\*27 mm
- DC12V\_40W Adapter



## Front IO



## Rear IO



## Specifications

<b>Processor</b>	Intel® Elkhart Lake N6210 Processor (TDP 6.5W)	<b>Power</b>	DC12~36V input DC12V_40W Adapter
<b>Chipset</b>	SoC		
<b>Memory</b>	1* DDR4 3200MHz SO-DIMM up to 32GB	<b>Temperature</b>	Operating : -20°C~60°C Storage : -20°C~60°C
<b>Ethernet</b>	2* Realtek RTL8119I GbE		
<b>Display Output</b>	3* DP		
<b>Storage</b>	1* M.2 M-key (2242/2280) support NVME 32GB eMMC onboard (option)	<b>Dimension</b>	160.2 (W) x 106 (D) x 27 (H) mm
<b>Expansion Slot</b>	1* M.2 E-key (2230, PCIe Gen.3 x1/USB2.0 interface), 1* M.2 B-key (3042, USB3.0 interface)		
<b>Front I/O</b>	1* Power button + Power LED, 4* USB2.0, 1* Audio(Line out+MIC), 1* Line in, 3* DP		
<b>Rear I/O</b>	2* RJ45, 1* DC in (Lockable)		
	Internal: SIM Card Holder		

\*The Specification may be changed without further notice.  
www.jetwayipc.com

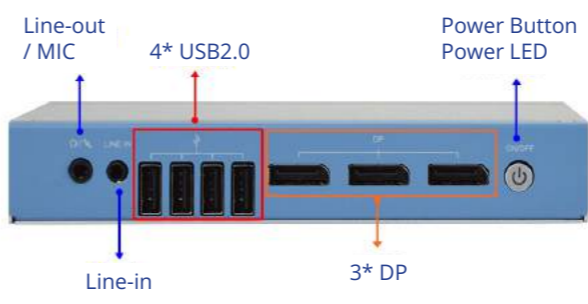
# HB368F21-6210-I

Features **intel** **FC** **CE** **RoHS**  
COMPLIANT

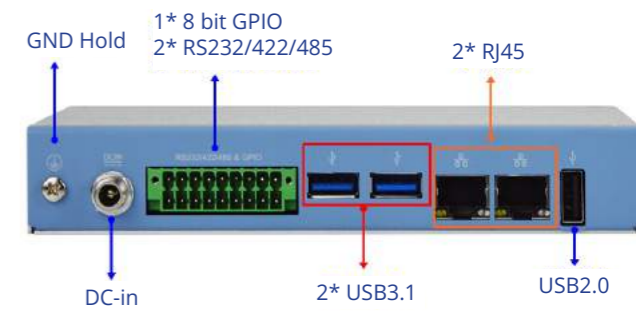
- Intel Elkhart Lake SoC Processor
- 1\* DDR4 3200MHz SO-DIMM up to 32GB
- 2\* USB3.1 (Gen.2), 4\* USB2.0, 2\* RJ45, 1\* Audio (MIC + Line-out), 1\* Line-IN, 3\* DP, 2\* COM, 1\* GPIO
- Support TPM2.0 (option)
- 160.2\*106\*27 mm
- DC12V\_40W/60W Adapter (BY Model)



## Front IO



## Rear IO



## Specifications

<b>Processor</b>	Intel® Elkhart Lake N6210 Processor (TDP 6.5W)	<b>Power</b>	DC12~36V input DC12V_40W Adapter
<b>Chipset</b>	SoC		
<b>Memory</b>	1* DDR4 3200MHz SO-DIMM up to 32GB	<b>Temperature</b>	Operating : -20°C~60°C Storage : -20°C~50°C
<b>Ethernet</b>	2* Realtek RTL8119I GbE		
<b>Display Output</b>	3* DP		
<b>Storage</b>	1* M.2 M-key (2242/2280) support NVME 32GB eMMC onboard (option)	<b>Dimension</b>	160.2 (W) x 106 (D) x 27 (H) mm
<b>Expansion Slot</b>	1* M.2 E-key (2230, PCIe Gen.3 x1/USB2.0 interface), 1* M.2 B-key (3042, USB3.0 interface)		
<b>Front I/O</b>	1* Power button + Power LED, 4* USB2.0, 1* Audio(Line out+MIC), 1* Line in, 3* DP		
<b>Rear I/O</b>	2* RJ45, 2* USB3.1(Gen.2), 1* USB2.0, 1* 8 bit GPIO (Phoenix Connector 2*9 PIN), 2* RS232/422/485 (Phoenix Connector 2*9 PIN), 1* DC in (Lockable)		
	Internal: SIM Card Holder		

\*The Specification may be changed without further notice.  
www.jetwayipc.com

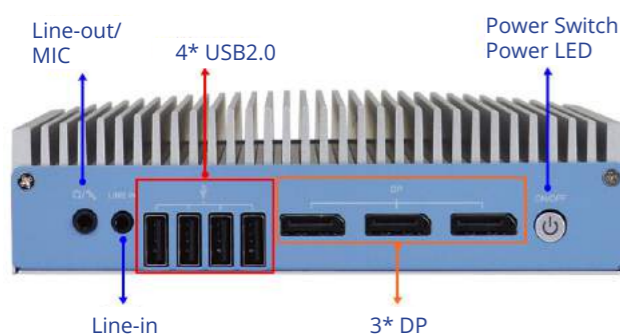
# HB368F21-6412-W

## Features

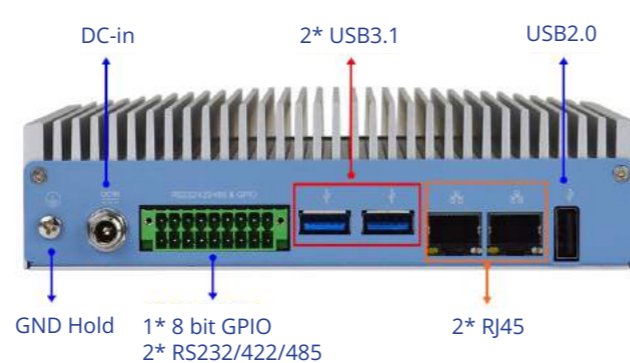
- Intel Elkhart Lake SoC Processor
- 1\* DDR4 3200MHz SO-DIMM up to 32GB
- 2\* USB3.1 (Gen.2), 4\* USB2.0, 2\* RJ45, 1\* Audio (MIC + Line-out), 1\* Line-IN, 3\* DP, 2\* COM, 1\* GPIO
- Support TPM2.0 (option)
- 160.2\*106\*43.5 mm
- DC12V\_60W Adapter



### Front IO



### Rear IO



## Specifications

<b>Processor</b>	Intel® Elkhart Lake J6412 Processor (TDP 10W)	<b>Power</b>	DC12~36V input DC12V_60W Adapter
<b>Chipset</b>	SoC		
<b>Memory</b>	1* DDR4 3200MHz SO-DIMM up to 32GB	<b>Temperature</b>	Operating : -20°C~80°C Storage : -20°C~60°C
<b>Ethernet</b>	2* Realtek RTL8119I GbE		
<b>Display Output</b>	3* DP		
<b>Storage</b>	1* M.2 M-key (2242/2280) support NVME 32GB eMMC onboard (option)	<b>Dimension</b>	160.2 (W) x 106 (D) x 43.5 (H) mm
<b>Expansion Slot</b>	1* M.2 E-key (2230, PCIe Gen.3 x1/USB2.0 interface), 1* M.2 B-key (3042, USB3.0 interface)		
<b>Front I/O</b>	1* Power button + Power LED, 4* USB2.0, 1* Audio(Line out+MIC), 1* Line in, 3* DP		
<b>Rear I/O</b>	2* RJ45, 2* USB3.1(Gen.2), 1* USB2.0, 1* 8 bit GPIO (Phoenix Connector 2*9 PIN), 2* RS232/422/485 (Phoenix Connector 2*9 PIN), 1* DC in (Lockable) Internal: SIM Card Holder		

\*The Specification may be changed without further notice.  
www.jetwayipc.com

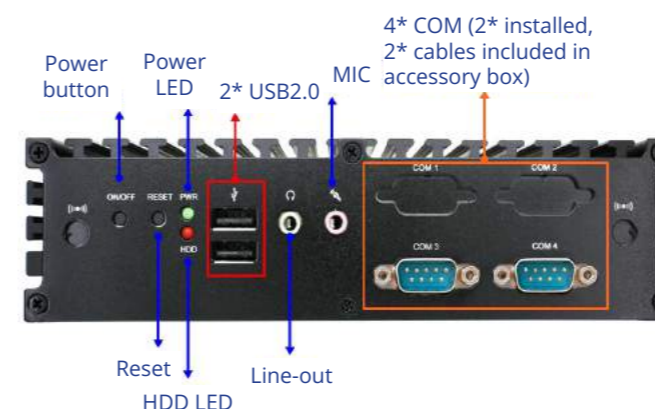
# HBJC375F3A-2930-B

## Features

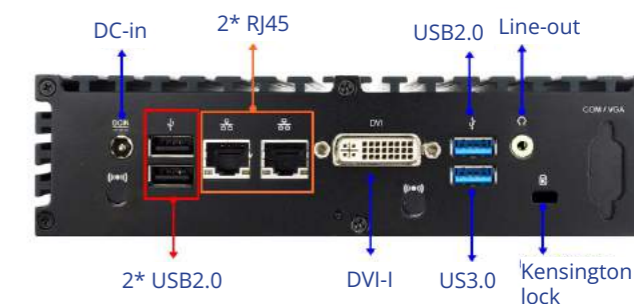
- Intel BayTrail-M N2930 Processor
- 1\* SO-DIMM DDR3L 1333MHz up to 8GB
- 1\* DVI-I, 2\* RJ45, 1\* USB 3.0, 5\* USB 2.0, 4\* COM (Max.)
- M/B Form Factor : 3.5" (148x102mm)
- DC-12V\_60W Adapter



### Front IO



### Rear IO



## Specifications

<b>Processor</b>	Intel® BayTrail-M N2930 Processor	<b>Power</b>	9~24V DC Power in DC-12V_60W Adapter
<b>Chipset</b>	SoC		
<b>Memory</b>	1* DDR3L 1333MHz SO-DIMM up to 8GB	<b>Temperature</b>	Operating : 0°C~50°C Storage : -10°C~70°C
<b>Ethernet</b>	2* Realtek RTL8111G GbE		
<b>Display Output</b>	1* DVI-I		
<b>Storage</b>	1* mSATA (full size shared), 1* 2.5" Device	<b>Dimension</b>	142(D) x 185(W) x 48(H) mm
<b>Expansion Slot</b>	2* Mini PCI Express (full & half size)		
<b>Front I/O</b>	1* Power LED, 1* HDD LED, 1* Power Button, 1* Reset button, 2* USB 2.0, 4* COM (Max.), 1* MIC, 1* Line out		
<b>Rear I/O</b>	1* USB 3.0, 3* USB 2.0, 1* DVI-I, 2* RJ45, 1* Line out, 1* DC Jack		

\*The Specification may be changed without further notice.  
www.jetwayipc.com

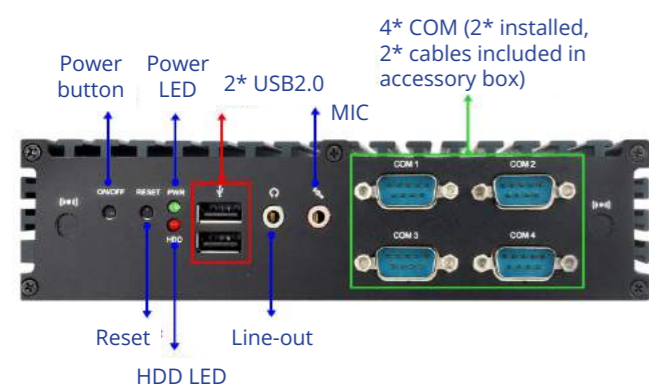
# HBJC375F532-2930-B

Features **intel** **FC** **CE** **RoHS**  
COMPLIANT

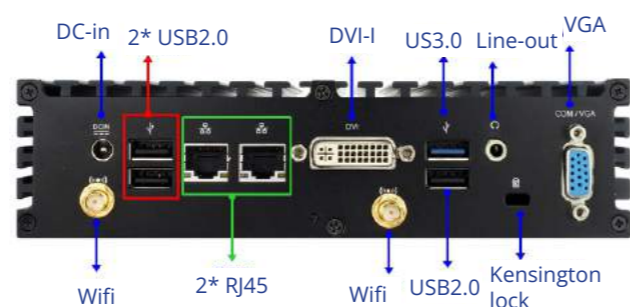
- Intel BayTrail-M N2930 Processor
- 1\* SO-DIMM DDR3L 1333MHz up to 8GB
- 1\* VGA, 1\* DVI-I, 2\* RJ45, 1\* USB 3.0, 5\* USB 2.0, 4\* COM (Max.)
- M/B Form Factor : 3.5" (148x102mm)
- DC-12V\_60W Adapter



## Front IO



## Rear IO



## Specifications

<b>Processor</b>	Intel® BayTrail-M N2930 Processor	<b>Power</b>	9~24V DC Power in DC-12V_60W Adapter
<b>Chipset</b>	SoC	<b>Temperature</b>	Operating : 0°C~50°C Storage : -10°C~70°C
<b>Memory</b>	1* DDR3L 1333MHz SO-DIMM up to 8GB		
<b>Ethernet</b>	2* Realtek RTL8111G GbE		
<b>Display Output</b>	1* DVI-I		
<b>Storage</b>	1* mSATA (full size shared), 1* 2.5" Device	<b>Dimension</b>	185(W) x 142(D) x 48(H) mm
<b>Expansion Slot</b>	2* Mini PCI Express (full & half size)		
<b>Front I/O</b>	1* Power LED, 1* HDD LED, 1* Power Button, 1* Reset button, 2* USB 2.0, 4* COM (Max.), 1* MIC, 1* Line out		
<b>Rear I/O</b>	1* USB 3.0, 3* USB 2.0, 1* VGA, 1* DVI-I, 2* RJ45, 1* Line out, 1* DC Jack		

\*The Specification may be changed without further notice.  
www.jetwayipc.com

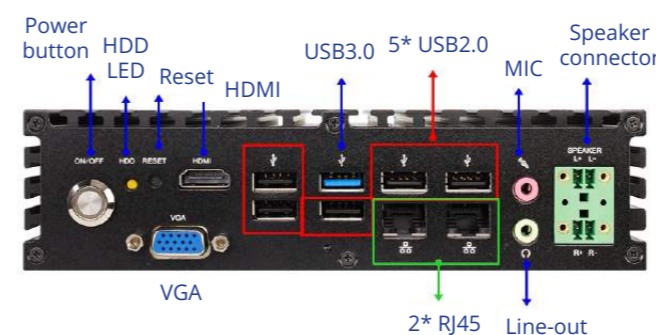
# HBJC376C55-1900

Features **intel** **FC** **CE** **RoHS**  
COMPLIANT

- Intel® Bay Trail-D J1900 Processor
- Support DDR3L memory up to 8G
- 1 \* USB3.0 , 5 \* USB2.0 , 4 \* RS232 , 2 \* RS232/422/485 , 1 \* 3W Speaker , 1 \* GPIO
- Form Factor : 185 x 142 x 48mm
- 9~24V DC-in Power



## Front IO



## Rear IO



## Specifications

<b>Processor</b>	Intel® Bay Trail-D J1900 SoC Processor (2.0GHz)	<b>Power</b>	9~24V DC Power in DC-12V_60W Adapter
<b>Chipset</b>	SoC	<b>Temperature</b>	Operating : -10°C~60°C Storage : -20°C~70°C
<b>Memory</b>	Onboard 2GB DDR3L 1333MHz		
<b>Ethernet</b>	2* GbE		
<b>Display Output</b>	1* VGA, 1* HDMI		
<b>Storage</b>	1* 2.5" SATA Device (Max Height 9.5 mm) 1* m-SATA SSD Device (Mini PCI-E)	<b>Dimension</b>	185(W) x 142(D) x 48(H) mm
<b>Expansion Slot</b>	1* Mini PCI-E (Full-size)		
<b>Front I/O</b>	1* Power LED, 1* HDD LED, 1* Power Button, 1* Reset button, 1* USB 3.0, 5* USB 2.0, 2* RJ45, 1* MIC, 1* Line out, 1* 3W Speaker, 1* HDMI, 1* VGA		
<b>Rear I/O</b>	6* COM (4* RS232, 2* RS232/422/485), 1* GPIO, 1* DC Jack		

\*The Specification may be changed without further notice.  
www.jetwayipc.com

PICO-ITX  
NUC  
3.5"  
Mini-ITX  
Desktop  
Network  
Expand  
WT  
WV  
Hummer  
Rackmount  
ARM

PICO-ITX  
NUC  
3.5"  
Mini-ITX  
Desktop  
Network  
Expand  
WT  
WV  
Hummer  
Rackmount  
ARM

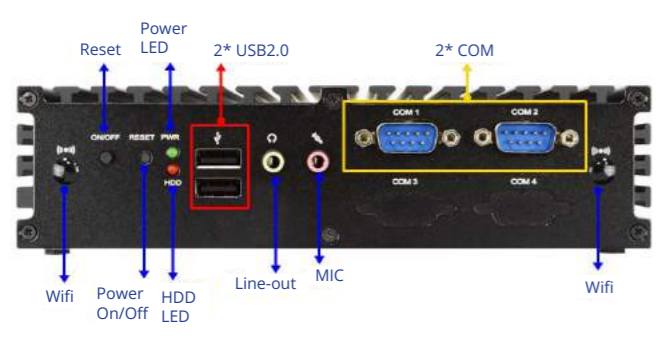
# HBJC377F531-316R

Features **intel** **FC** **CE** **RoHS**  
COMPLIANT

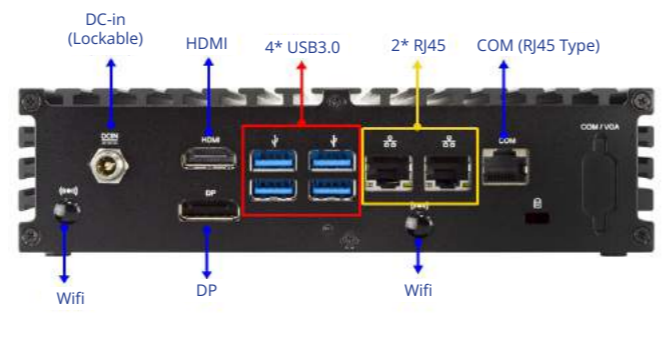
- Intel® Braswell N3160 SoC Processor
- 1\* DDR3L 1600MHz SO-DIMM up to 8GB
- 1\* M.2 (M-key 2242) slot, 1\* mini-PCIe slot
- 6\* USB, 5\* COM, 1\* HDMI, 1\* DP, 2\* LAN, 1\* MIC, 1\* LINE OUT



## Front IO



## Rear IO



## Specifications

<b>Processor</b>	Intel® Braswell N3160 Processor 1.6GHz (TDP 6W)	<b>Power</b>	12V DC Power input DC-12V_60W Adapter
<b>Chipset</b>	SoC		
<b>Memory</b>	1* DDR3L 1600MHz SO-DIMM up to 8GB	<b>Temperature</b>	Operating : 0°C~50°C Storage : -10°C~70°C
<b>Ethernet</b>	2* Realtek RTL8119I GbE		
<b>Display Output</b>	1* DP, 1* HDMI		
<b>Storage</b>	1* M.2 M-key (2242, SATA interface) 1* 2.5" SATA Device (height ≤ 10mm)	<b>Dimension</b>	185 (W) x 142 (D) x 48 (H) mm
<b>Expansion Slot</b>	1* Mini-PCIe half size (for Wifi+BT)		
<b>Front I/O</b>	1* Power LED, 1* HDD LED, 1* Power Button, 1* Reset button, 2* USB 2.0, 4* COM (Max.), 1* MIC, 1* Line out		
<b>Rear I/O</b>	4* USB 3.0, 2* RJ45, 1* COM (RJ-45 type), 1* HDMI, 1* DP, 1* DC JACK (lockable)		

\*The Specification may be changed without further notice.  
www.jetwayipc.com

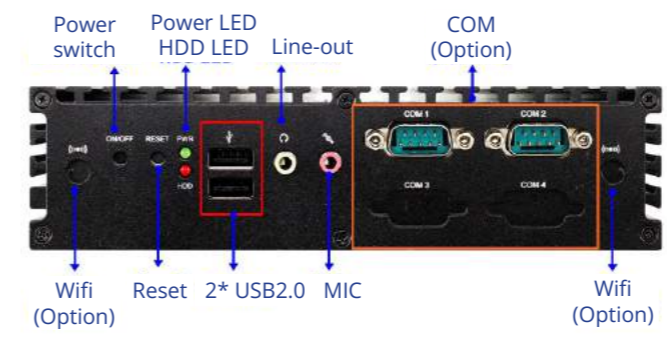
# HBJC377F631-345R

Features **intel** **FC** **CE** **RoHS**  
COMPLIANT

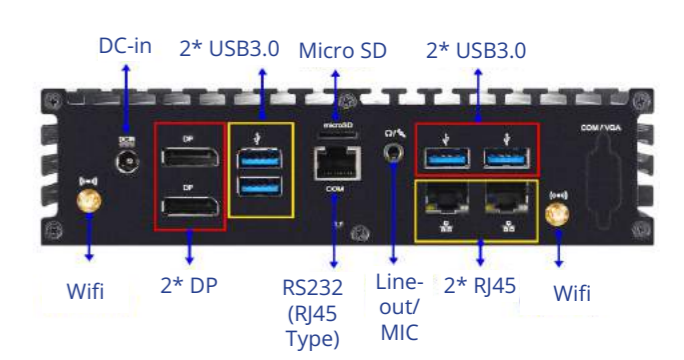
- Intel® Apollo Lake SoC Processor (Default: J3455)
- Supports 1\* DDR3L-1866MHz SO-DIMM up to 8GB
- 2\* USB2.0, 4\* USB3.0, 2\* DP, 2\* RJ45, Micro SD slot, 1\* RS232 (RJ45 Type)
- DC 12V\_60W Adapter



## Front IO



## Rear IO



## Specifications

<b>Processor</b>	Intel® Apollo Lake J3455 Processor (TDP 10W)	<b>Power</b>	12V DC Power input DC-12V_60W Adapter
<b>Chipset</b>	SoC		
<b>Memory</b>	1* DDR3L 1866MHz SO-DIMM up to 8GB	<b>Temperature</b>	Operating : 0°C~50°C Storage : -10°C~70°C
<b>Ethernet</b>	2* Realtek RTL8119I GbE		
<b>Display Output</b>	2* DP		
<b>Storage</b>	1* M.2 SSD Device (M-key, 2242), 1* 2.5" SATA device	<b>Dimension</b>	185 (W) x 142 (D) x 48 (H) mm
<b>Expansion Slot</b>	1* Mini-PCIe full size		
<b>Front I/O</b>	1* Power LED, 1* HDD LED, 1* Power Button, 1* Reset button, 2* USB2.0, 1* Audio		
<b>Rear I/O</b>	4* USB 3.0, 2* DP, 2* RJ45, 1* DC-in jack, 1* RS232 (RJ45 type), 1* Micro SD, 1* Audio (Line out + MIC)		

\*The Specification may be changed without further notice.  
www.jetwayipc.com

# HBJC38AZ02 Series



## Features

- With the development of IOT, industrial automation needs faster and more stable equipment, so Intel Tiger Lake processor is used as the core.
- In response to different installation occasions and different interface

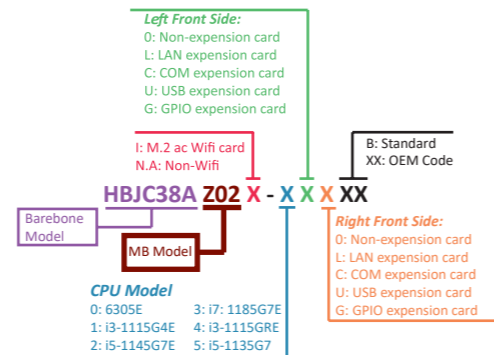
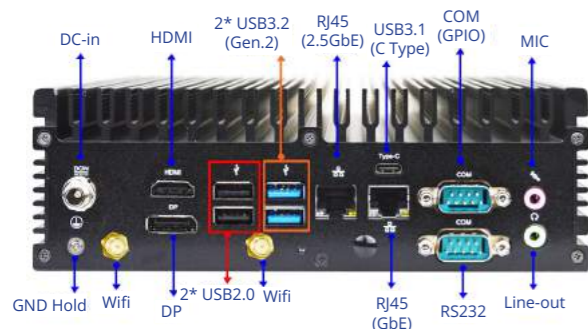
requirements, by choosing different expansion cards, the needs of most users can be met.



## Specifications

<b>Processor</b>	Intel® Tiger lake-UP3 SoC Processor (i5-1145G7E/ Default)	<b>Power</b>	12V DC Power in DC-12V_60W Adapter
<b>Chipset</b>	SoC		
<b>Memory</b>	2* DDR4 3200MHz SO-DIMM up to 64GB	<b>Temperature</b>	Operating : 0°C~50°C Storage : -10°C~70°C
<b>Ethernet</b>	1* Intel i219LM GbE, 1* Intel i225V 2.5GbE		
<b>Display Output</b>	2* DP, 1* HDMI 2.0		
<b>Storage</b>	1* 2.5" SATA HDD 1 * M.2-2242/2280 M-Key, support NVMe	<b>Dimension</b>	175(D) x 185(W) x 60(H) mm
<b>Expansion Slot</b>	1* M.2-2230 E-Key (support CNVi), 1* M.2-3042/3052 B-Key (USB3.1/USB2.0/PCIe x1 for 4G&5G expansion)		
<b>Front I/O</b>	1* Power LED, 1* HDD LED, 1* Power Button (Different interfaces such as 8* USB 3.0 & 32 bit GPIO & 8* COM & 8* LAN can be selected)		
<b>Rear I/O</b>	2* USB 2.0, 2* USB 3.2 (Gen.2), 1* USB3.1(C Type), 1* HDMI, 1* DP, 2* RJ45 (2.5Gbps/1.0Gbps), 1* Line-out , 1* MIC, 2* COM (TOP: co-lay GPIO ; Bottom: Support RS232), 1* DC Jack (Lock Type)		

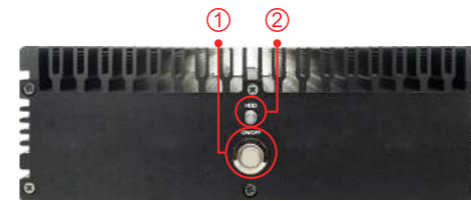
## Rear IO



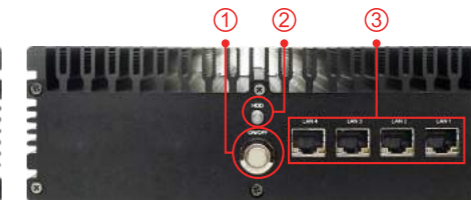
\*The Specification may be changed without further notice.  
[www.jetwayipc.com](http://www.jetwayipc.com)

## Front IO

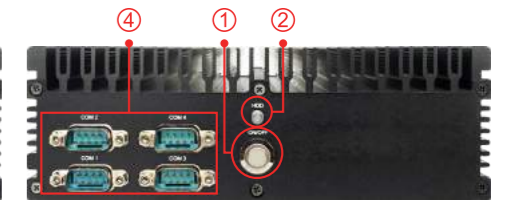
HBJC38AZ02(I)-XXXB



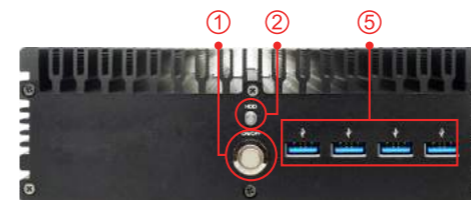
HBJC38AZ02(I)-XXA43B



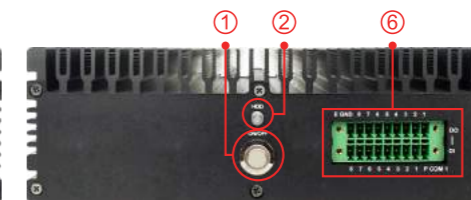
HBJC38AZ02(I)-XCX43B



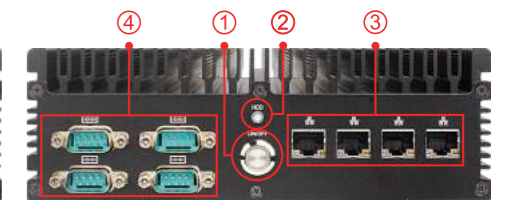
HBJC38AZ02(I)-X XU43B



HBJC38AZ02(I)-XXG43B



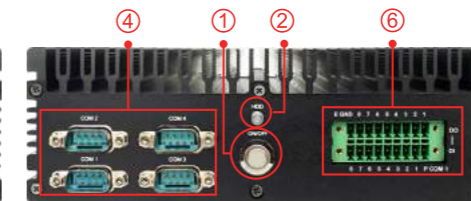
HBJC38AZ02(I)-XCA43B



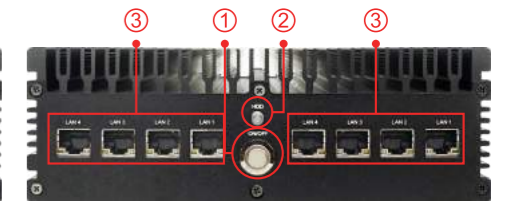
HBJC38AZ02(I)-XC U43B



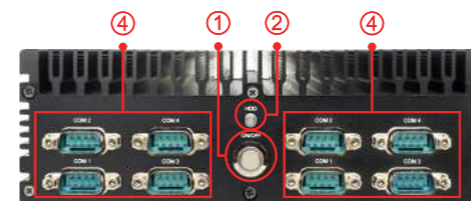
HBJC38AZ02(I)-XC G43B



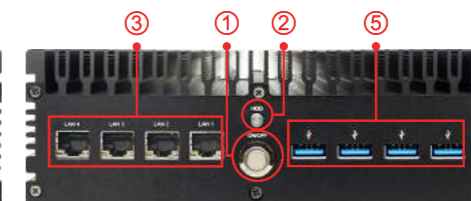
HBJC38AZ02(I)-XAA43B



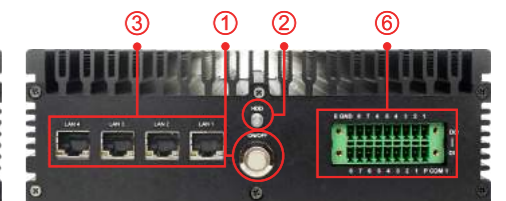
HBJC38AZ02(I)-XC C43B



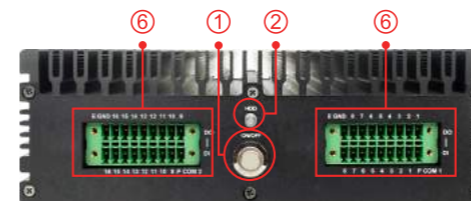
HBJC38AZ02(I)-XAU43B



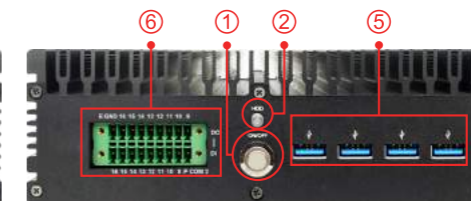
HBJC38AZ02(I)-XAG43B



HBJC38AZ02(I)-XGG43B



HBJC38AZ02(I)-XGU43B



1. PW button
2. HDD LED
3. RJ45(LAN)
4. COM
5. USB
6. GPIO

\*The Specification may be changed without further notice.  
[www.jetwayipc.com](http://www.jetwayipc.com)

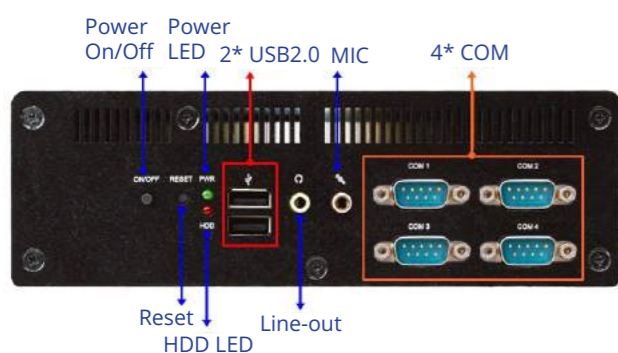
# HBFD05-45G7-V

Features **intel** **FC** **CE** **RoHS**  
COMPLIANT

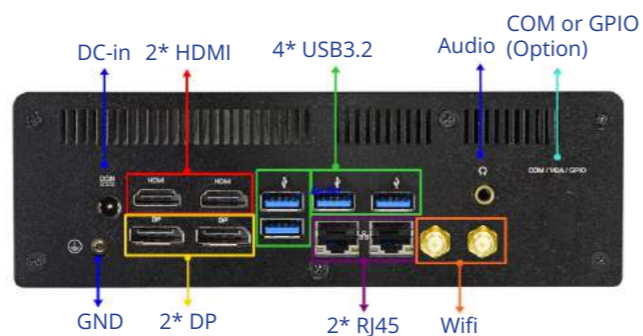
- Intel® Tiger Lake-UP3 SoC Processor (TDP 15W)
- 2\* DDR4-3200MHz SO-DIMM up to 64GB
- 2\* USB2.0, 4\* USB3.2, 2\* HDMI, 2\* DP, 2\* RJ45, 1\*Audio
- Support 4\* 4K HDR Displays or 1\* 8K SDR Displays
- DC 90W Adapter



## Front IO



## Rear IO



## Specifications

<b>Processor</b>	Intel® Tiger Lake-UP3 145G7E Processor (TDP 15W)	<b>Power</b>	12~24V DC Power in DC-12V_90W Adapter
<b>Chipset</b>	SoC		
<b>Memory</b>	2* DDR4-3200MHz SO-DIMM up to 64GB	<b>Temperature</b>	Operating : -20°C~50°C Storage : -20°C~70°C
<b>Ethernet</b>	1* Intel® i219LM GbE, 1* Intel® i225V 2.5GbE		
<b>Display Output</b>	2 * HDMI 2.0b, 2 * DP1.4		
<b>Storage</b>	1 * M.2 M-key (2242/2280) Support PCIe4 (NVMe), 1 * 2.5" SATA device	<b>Dimension</b>	193 (W) x 142.4 (D) x 62 (H) mm
<b>Expansion Slot</b>	1* M.2 E-key (2230) USB2.0/PCIex1 interface support CNVi		
<b>Front I/O</b>	1* Power button, 1* Reset button, 1* Power LED, 1* HDD LED, 2* USB 2.0, 4* COM (2 sets of installation, 2 set of accessories box)		
<b>Rear I/O</b>	4 * USB 3.2(Gen2), 2 * HDMI 2.0b, 2 * DP1.4, 2 * RJ45, 1 * Line-out/MIC Combo, 1 * DC-in, 1 * COM or GPIO (Optional), 2 * Antenna holes (Optional)		

\*The Specification may be changed without further notice.  
www.jetwayipc.com

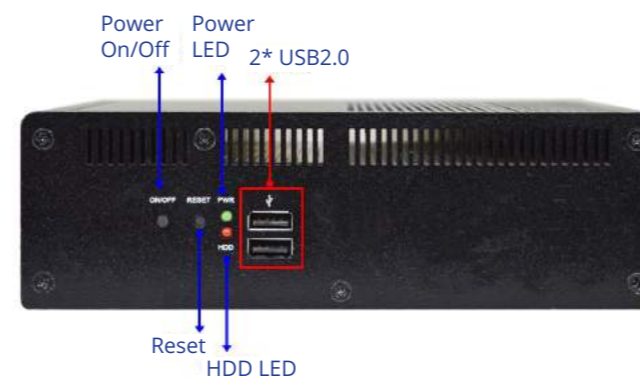
# HBFD10-45G7-B

Features **intel** **FC** **CE** **RoHS**  
COMPLIANT

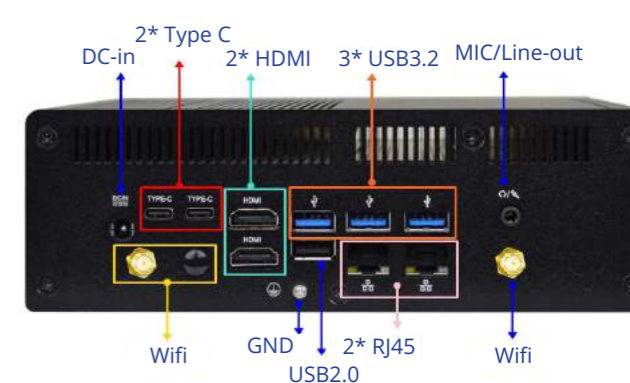
- Intel® Tiger Lake-UP3 SoC Processor (TDP 15W)
- 2\* DDR4 3200MHz SO-DIMM up to 64GB
- 2\* HDMI, 2\* DP1.4 (from Type-C), 1\* eDP, 1\* RS232, 3\* USB3.2 (Gen.2), 3\* USB2.0, 2\* USB3.2 (Gen. 2) Type-C support DP1.4 display output
- Support Four independent 4K HDR Display
- DC 12V 90W Adapter



## Front IO



## Rear IO



## Specifications

<b>Processor</b>	Intel® Tiger Lake-UP3 1145G7E Processor (TDP 15W)	<b>Power</b>	12~24V DC Power in DC-12V_90W Adapter
<b>Chipset</b>	SoC		
<b>Memory</b>	2* DDR4 3200MHz SO-DIMM up to 64GB	<b>Temperature</b>	Operating : -20°C~50°C (M.2 SSD) Storage : -20°C~70°C
<b>Ethernet</b>	2* Intel® i225V 2.5GbE		
<b>Display Output</b>	2* HDMI		
<b>Storage</b>	1* SATAIII (6Gb/s) M.2 M-key 2242/2280, support NVMe	<b>Dimension</b>	193 (W) x 142.4 (D) x 62 (H) mm
<b>Expansion Slot</b>	M.2 E-key (2230) USB2.0/PCIex1 interface support CNVi, M.2 B-Key 3042/3052 (USB3.1/USB2.0/PCIe x1)		
<b>Front I/O</b>	1* Power button, 1* Reset button, 1* Power LED, 1* HDD LED, 2* USB2.0		
<b>Rear I/O</b>	3* USB3.2(Gen2), 1* USB2.0, 2* USB3.2 (Gen.2) Type-C support DP1.4 display output, 2* RJ45, 2* HDMI, 1* Line-out/MIC Combo, 1* COM or GPIO (Option), 1* DC-in		

\*The Specification may be changed without further notice.  
www.jetwayipc.com

PICO-ITX  
NUC  
3.5"  
Mini-ITX  
Desktop  
Network  
Expand  
WT  
WV  
Hummer  
Rackmount  
ARM

PICO-ITX  
NUC  
3.5"  
Mini-ITX  
Desktop  
Network  
Expand  
WT  
WV  
Hummer  
Rackmount  
ARM

# HBFDF13-6412-B

## Features

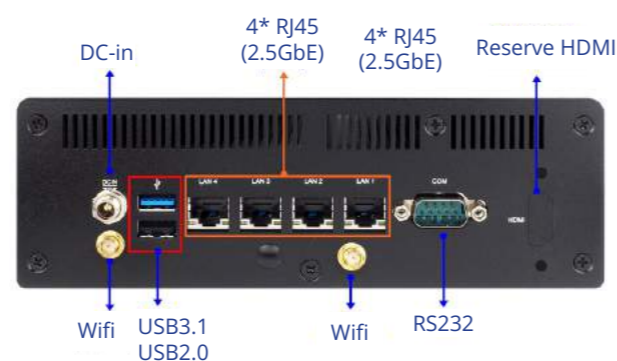
- Intel® Elkhart Lake SoC Processor, Default: J6412
- 1\* 260-pin Dual-channel DDR4 3200MHz SODIMM Up to 32GB
- 2\* COM (RS232/422/485), 1 \* USB3.1 Gen.2, 3\* Internal USB2.0
- 4\* Intel® i225V 2.5GbE
- 1\* M.2 M-key, 2242/2280 (SATA/PCIe Gen.3 x2) support NVMe, 1\* M.2 E-key, 2230 (USB2.0/PCIe Gen.3 x1), 1\* M.2 B-key, 3042/3052 (USB3.1), 1\* SIM card slot



### Front IO



### Rear IO



## Specifications

<b>Processor</b>	Intel® Elkhart Lake J6412 Processor	<b>Power</b>	12V DC Power in DC-12V_60W Adapter
<b>Chipset</b>	SoC		
<b>Memory</b>	1* SO-DIMM DDR4-3200MHz up to 32GB	<b>Temperature</b>	Operating : -20°C~60°C (mSATA or SSD) Storage : -20°C~70°C
<b>Ethernet</b>	4* Intel® i225V 2.5GbE		
<b>Display Output</b>	1* HDMI		
<b>Storage</b>	1* 2.5" SATA Device 1* M.2 M-KEY(2242/2280) support NVME	<b>Dimension</b>	193 (W) x 142.4 (D) x 62 (H) mm
<b>Expansion Slot</b>	1* M.2 E-KEY(2230,USB2.0/PCIe Gen.3x1), 1* M.2 B-KEY(3042/3052,USB3.1)		
<b>Front I/O</b>	1* Power button, 1* Reset button, 1* Power LED, 1* HDD LED, 2* USB2.0, 4* NIC LED, 1* COM & 1* GPIO (option)		
<b>Rear I/O</b>	4* RJ45, 1* USB3.1, 1* USB2.0, 1* HDMI, 1* COM (RS232/422/485), 1* DC-in jack Lock type		

\*The Specification may be changed without further notice.  
www.jetwayipc.com

# HBFDF20-6412-B

## Features

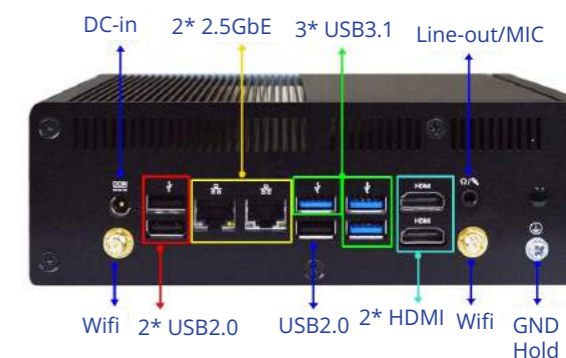
- Intel® Elkhart Lake SoC Processor (Default: J6412)
- Support 1\* DDR4 3200MHz SO-DIMM up to 32GB
- Support 8\* USB, 2\* RJ45, 4\* COM, 2\* HDMI
- All-aluminum body, produced by casting process
- Support DC12~24V input



### Front IO



### Rear IO



## Specifications

<b>Processor</b>	Intel® Elkhart Lake J6412 Processor (TDP 10W)	<b>Power</b>	12~24V DC Power in DC-12V_60W Adapter
<b>Chipset</b>	SoC		
<b>Memory</b>	1* DDR4 3200MHz SO-DIMM up to 32GB	<b>Temperature</b>	Operating : -20°C~60°C (M.2 SSD) Storage : -20°C~85°C
<b>Ethernet</b>	2* Intel® i225LM 2.5GbE		
<b>Display Output</b>	2* HDMI		
<b>Storage</b>	1* M.2 M-key (2242/2280) support NVME, 1* 2.5" SATA Device, 32GB eMMC onboard (option)	<b>Dimension</b>	193 (W) x 142.4 (D) x 62 (H) mm
<b>Expansion Slot</b>	1* M.2 E-key (2230), 1* M.2 B-key (3042), TPM onboard (option)		
<b>Front I/O</b>	1* Power SW, 1* Reset, 1* Power LED, 1* HDD LED, 1* MIC, 1* Line-out, 4* COM (COM1 support RS485), 2* USB2.0		
<b>Rear I/O</b>	3* USB3.1 (Gen2), 3* USB2.0, 2* HDMI, 2* RJ45, Line-out/MIC combo jack, 1* DC in		

\*The Specification may be changed without further notice.  
www.jetwayipc.com



# HBJC50111U-V1605B

## Features

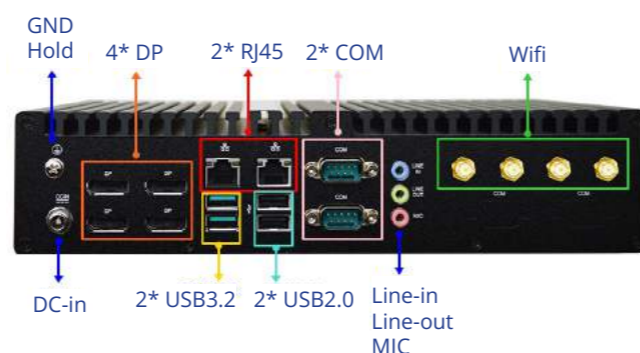
- AMD RYZEN V1605B 2.0GHz/QC Core Processor
- 2\* DDR4 2400MHz up to 32GB
- 1\* 2.5"SATA, 1\* M.2 E-key, 1\* M.2 M-key, 1\* M.2 B-key
- Support 4\* DP
- 2\* COM (Max : 6\* COM), 2\* LAN, 2\* USB3.2, 4\* USB2.0, 1\* Line in, 1\* Line out, 1\* Mic
- Mini ITX Form Factor (170 \*170 mm)
- Support TPM2.0 (optional)
- DC12~28V input



### Front IO



### Rear IO



## Specifications

<b>Processor</b>	AMD (RYZEN) Core V1000 Series Processor (V1605B, TDP 15W)	<b>Power</b>	12~28V DC Power in DC-19V_90W Adapter
<b>Chipset</b>	SoC		
<b>Memory</b>	2* DDR4 2400MHz SO-DIMM up to 32GB	<b>Temperature</b>	Operating : -20°C~60°C (M.2 SSD) Storage : -20°C~60°C
<b>Ethernet</b>	2* Realtek RTL8111H GbE		
<b>Display Output</b>	4* DP1.4		
<b>Storage</b>	1* 2.5" SATA Device, 1* M.2 M-key (2242/2280, PCIe x2 interface)	<b>Dimension</b>	264 (W) x 199.4 (D) x 58 (H) mm
<b>Expansion Slot</b>	1* M.2 E-key (2230) support WiFi/BT module, 1* M.2 B-key (3042/3052) support 4G/5G module		
<b>Front I/O</b>	1* Power button + Power LED, 1* HDD LED, 2* USB2.0, 4* COM (RS232, optional)		
<b>Rear I/O</b>	2* RJ45, 4* DP, 1* DC-in (Lockable), 2* USB3.2 (Gen.1), 2* USB2.0, 2* COM (RS232/422/485), 1* Line-in, 1* Line-out, 1* MIC		

\*The Specification may be changed without further notice.  
www.jetwayipc.com

# HBJC903I1BV-6412L

## Features

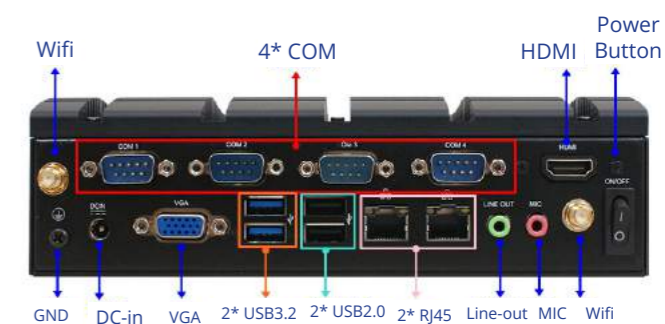
- Intel® Elkhart Lake J6412 2.0GHz/QC Core MCP Processor (Turbo 2.6GHz)
- Support DDR4 3200/2933 up to 32GB
- 2\* Intel® I225-V 2.5GbE
- 1\* SATA III (6Gb/s), 1\* M.2 M key (NVMe/SATA), 1\* M.2 E key (support WIFI/BT Module), 1\* M.2 B key (support 4G/5G Module)
- 1\* VGA, 1\* HDMI, 2\* USB3.1(Gen.1), 4\* USB2.0, 2\* RS485, 2\* RS232
- Fanless cooling design
- 12V DC-in



### Front IO



### Rear IO



## Specifications

<b>Processor</b>	Intel® Elkhart Lake J6412 2.0G/QC processor (Turbo 2.6GHz)	<b>Power</b>	12V DC Power in DC-12V_60W Adapter
<b>Chipset</b>	SoC		
<b>Memory</b>	1* DDR4 3200/2933MHz up to 32GB	<b>Temperature</b>	Operating : -10°C~50°C Storage : -20°C~60°C
<b>Ethernet</b>	2* Intel® i225-V 2.5GbE		
<b>Display Output</b>	1* VGA, 1* HDMI1.4		
<b>Storage</b>	1* 2.5"SATA 6Gb/s internal drive bay, 1* M.2 M key (2242/2280, SATA or NVMe)	<b>Dimension</b>	200.0 (W) x 180.4 (D) x 59.5 (H) mm
<b>Expansion Slot</b>	1* M.2 E key (2230) support WIFI/BT, 1* M.2 B key (3042/3052) support 4/5G Module		
<b>Front I/O</b>	N/A		
<b>Rear I/O</b>	2* USB3.1 (Gen.1), 2* USB2.0, 1* VGA, 1* HDMI, 2* RS485, 2* RS232, 2* RJ45, 1* Line-out, 1* MIC, 1* DC Jack, 2* Antenna, 1* GND Hold, 1* Power Button Side: 2* USB2.0; Internal: 1* Nano SIM Card slot		

\*The Specification may be changed without further notice.  
www.jetwayipc.com

# HBJC903I05-6412

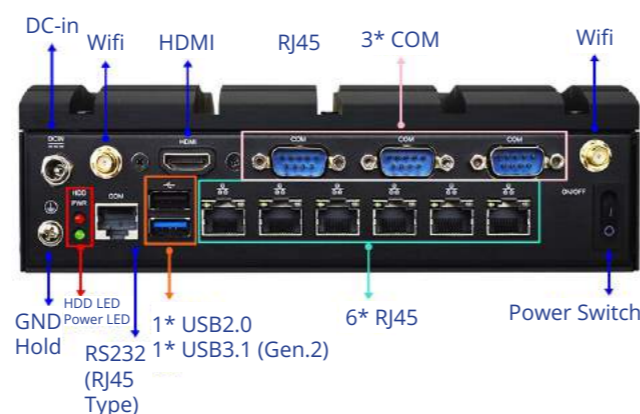
Features **intel.** **FC** **CE** **RoHS** COMPLIANT

- Intel® Elkhart Lake J6412 Processor
- 2. Support 1\* DDR4 3200 up to 32GB
- 6\* Intel® I225-V 2.5GbE
- 1\* M.2 M-key (2242, SATA interface) support NVMe, 1\* M.2 E-key (2230, USB2.0/PCIe Gen.3 x1 interface), 1\* M.2 B-key (3042, USB3.1/PCIe Gen.3 x1 interface)
- 1\* USB3.1 (Gen.2), 1\* USB2.0, 3\* COM, 1\* HDMI, 1\* RS232(RJ45 TYPE)
- Fan-less cooling design
- Adapter DC12V\_60W



## Front IO

## Rear IO



## Specifications

<b>Processor</b>	Intel® Elkhart Lake J6412 Processor (4C/2.0GHz, TDP 10W)	<b>Power</b>	12V DC Power in DC12V_60W Adapter
<b>Chipset</b>	SoC		
<b>Memory</b>	1* DDR4 3200MHz SO-DIMM up to 32GB	<b>Temperature</b>	Operating : -20°C~60°C Storage : -20°C~60°C
<b>Ethernet</b>	6* Intel® i225-V 2.5GbE		
<b>Display Output</b>	1* HDMI 1.4b		
<b>Storage</b>	1* M.2 M-key (2242, SATA interface) support NVMe, 1* 2.5" SATAIII Device	<b>Dimension</b>	200 (W) x 180 (D) x 59.5 (H) mm
<b>Expansion Slot</b>	1* M.2 E-key (2230, USB2.0/PCIe Gen.3 x1 interface), 1* M.2 B-key (3042, USB3.1/PCIe Gen.3 x1 interface)		
<b>Front I/O</b>	N/A		
<b>Rear I/O</b>	1* USB 3.1 (Gen.2), 1* USB 2.0, 6* RJ45, 1* Console RS232 (RJ45 TYPE), 3* COM (1* RS232/422/485, 2* RS232), 1* HDMI, 1* Power LED, 1* HDD LED, 1* Power Button, 1* DC-in Jack (Lockable), 1* GND Hold Internal: SIM Card slot		

\*The Specification may be changed without further notice.  
www.jetwayipc.com

# HBFFI02 Series

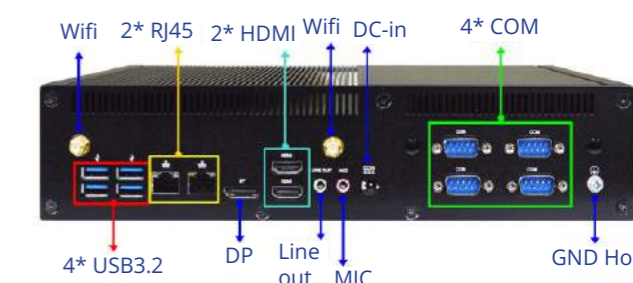
Features **intel.** **FC** **CE** **RoHS** COMPLIANT

- Intel LGA1200 Socket 10/11th generation Pentium, Core i3, i5, i7 Processors, up to 35W
- Dual CH non-ECC DDR4 2933/2666/2400MHz SODIMM
- 1\* 2.5" HDD TRAY Design
- 2\* HDMI, 1\* DP, 4\* COM, 2\* USB2.0, 4\* USB 3.2, 1\* Line-out, 1\* MIC
- Adapter DC19V 120W



## Front IO

## Rear IO



## Specifications

<b>Processor</b>	Intel® LGA 1200 Socket 10/11th generation Core i7 / i5 / i3 /Pentium CPU (35W)	<b>Power</b>	12V DC Power in DC-12V_60W Adapter
<b>Chipset</b>	Intel Q470E chipset		
<b>Memory</b>	2* SO-DIMM slots / dual channel DDR4 2933/2666/2400MHz up to 64GB	<b>Temperature</b>	Operating : 0°C~50°C Storage : -10°C~70°C
<b>Ethernet</b>	1* Intel i219LM GbE, 1* Intel i225LM 2.5GbE		
<b>Display Output</b>	2* HDMI, 1* DP		
<b>Storage</b>	1* 2.5" SATAIII Device, 1* M.2 M-Key 2280 (SATA/ PCIe4) support NVMe	<b>Dimension</b>	232 (W) x 152 (D) x 65 (H) mm
<b>Expansion Slot</b>	1* M.2 E-Key, 2230 support CNVi, 1* M.2 B-Key 3042/3052 W/SIM card holder		
<b>Front I/O</b>	1* Power button, 1* Power LED, 1* HDD LED, 2* USB 2.0, 1* 2.5" HDD Tray		
<b>Rear I/O</b>	4* USB 3.2, 2* HDMI, 1* DP, 2* RJ45, 1* Line-out, 1* MIC, 4* COM, 1* DC-in		

\*The Specification may be changed without further notice.  
www.jetwayipc.com

# HBJC511I09-H470-B

Features **intel** **FC** **CE** **RoHS**  
COMPLIANT

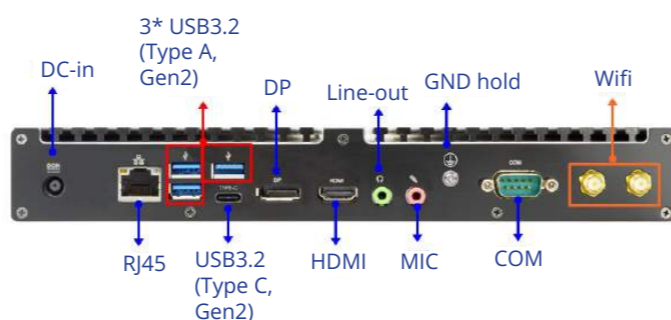
- Intel® LGA1200 socket 10/11th Gen Core™ Processors
- 2\* DDR4 2666/2400MHz SO-DIMM up to 64GB
- 3\* USB 3.2 (Type A/Gen2), 1\* USB 3.2 (Type C/Gen1), 4\* USB2.0, 1\* GbE, 1\* COM
- 1\* HDMI1.4, 1\* DP
- M/B Form Factor : Mini ITX (170x170mm)
- DC-19V\_120W Adapter
- TPM 2.0 (option)



## Front IO



## Rear IO



## Specifications

<b>Processor</b>	Intel® 10/11th LGA 1200 Socket Comet Lake-S/ Rocket Lake-S Processor (Max:35W)	<b>Power</b>	12~19V DC Power in DC-19V_120W Adapter
<b>Chipset</b>	Intel H470 chipset		
<b>Memory</b>	2* DDR4 2666/2400MHz SO-DIMM up to 64GB	<b>Temperature</b>	Operating : 0°C~50°C Storage : -10°C~70°C
<b>Ethernet</b>	1* Intel i219V GbE		
<b>Display Output</b>	1* HDMI 1.4, 1* DP		
<b>Storage</b>	1* 2.5" SATA Device, 1* M.2 M-Key (2242/2260/2280, SATA/PCIe interface)	<b>Dimension</b>	264 (W) x 199.4 (D) x 38 (H) mm
<b>Expansion Slot</b>	1* M.2 E-key Slot (2230, PCIe x1/USB2.0 interface) support CNV for WiFi/BT Modul		
<b>Front I/O</b>	1* Power button, 1* Reset button, 1* Power LED, 1* HDD LED, 1* Line-out, 1* MIC, 4* USB 2.0		
<b>Rear I/O</b>	3* USB 3.2 (Type A/Gen2), 1* USB 3.2 (Type C/Gen1), 1* HDMI 1.4, 1* DP, 1* RJ45, 1* COM (RS232/422/485), 1* Line-out, 1* Mic-in, 1* DC-In Jack		

\*The Specification may be changed without further notice.  
www.jetwayipc.com

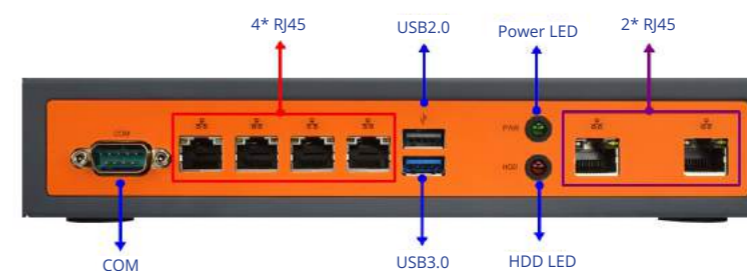
# HBJC130F533MS4-19

Features **intel** **FC** **CE** **RoHS**  
COMPLIANT

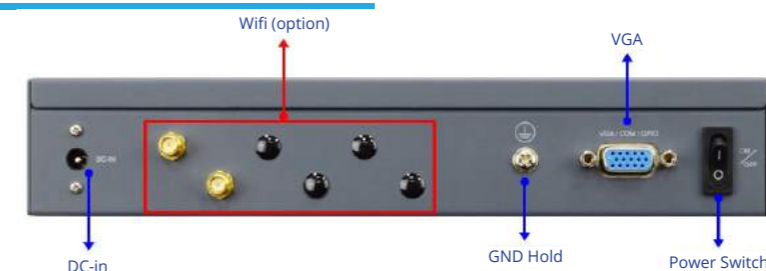
- Intel Bay Trail-D J1900 Processor
- 1\* DDR3L 1333MHz memory up to 8GB
- 1\* VGA, 1\* COM, 6\* RJ45 (Max.), 1\* USB 2.0, 1\* USB3.0
- M/B Form Factor : 3.5" (148x102mm)
- DC-12V\_5A\_60W Adapter



## Front IO



## Rear IO



## Specifications

<b>Processor</b>	Intel® Bay Trail Processor J1900 (2.0 GHz) Quad Core	<b>Power</b>	12~28V DC Power in DC-19V_120W Adapter
<b>Chipset</b>	SoC		
<b>Memory</b>	1* DDR3L 1333 MHz SDRAM up to 8GB	<b>Temperature</b>	Operating : -20°C~50°C Storage : -10°C~70°C
<b>Ethernet</b>	4* Intel i211AT GbE		
<b>Display Output</b>	1* VGA		
<b>Storage</b>	1* 2.5" SATA HDD, 2* USB 2.0 Drive, 1* M.2 (M-key, 2242)	<b>Dimension</b>	232 (W) x 152 (D) x 44 (H) mm
<b>Expansion Slot</b>	1* full size Mini-PCIe slot (FOR expansion 2* LAN), 1* M.2-2230 E-key (for wifi)		
<b>Front I/O</b>	1* COM, 1* USB 3.0, 1* USB 2.0, 1* Power LED, 1* HDD LED, 4* RJ45		
<b>Rear I/O</b>	1* Power Button, 1* VGA, 1* DC Jack		

\*The Specification may be changed without further notice.  
www.jetwayipc.com

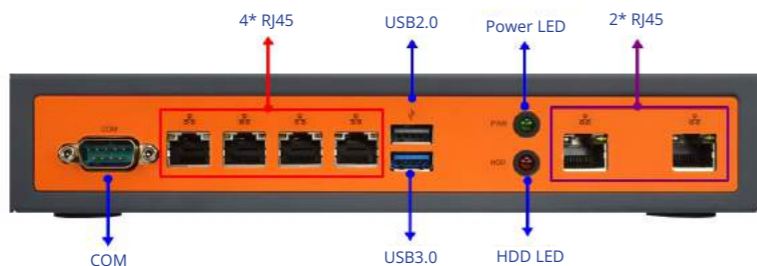
# HBJC130F73104-395V

Features **intel** **FC** **CE** **RoHS**  
COMPLIANT

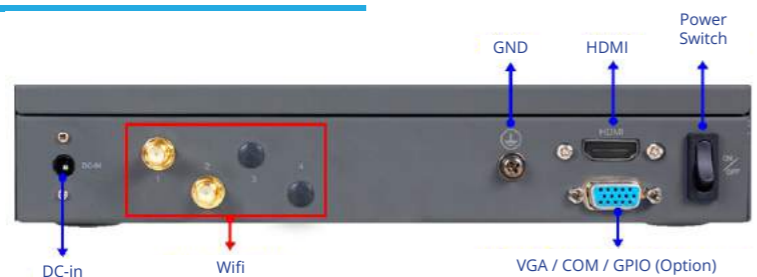
- Intel® Skylake/Kabylake U-Series SoC Processor
- 1\* DDR4 2133MHz SODIMM Up to 16GB
- 4 or 6 Ethernet Ports
- 1\* Full size Mini-SATA Socket (SATA + USB Signal)
- 2\* Mini PCIe Slots (1\* full size, 1\* half size)
- Supports on board TPM2.0 (option)
- 1\* RS232 Console, 2\* USB3.0



## Front IO



## Rear IO



## Specifications

<b>Processor</b>	Intel® Skylake-U Series 3955U Processor (TDP 15W)	<b>Power</b>	12V DC Power in DC-12V_60W Adapter
<b>Chipset</b>	SoC		
<b>Memory</b>	1 * SO-DIMM DDR4-2133MHz up to 16GB	<b>Temperature</b>	Operating : 0°C~50°C Storage : -10°C~70°C
<b>Ethernet</b>	1* i219LM GbE, 3* Intel® i225V 2.5GbE		
<b>Display Output</b>	1* HDMI		
<b>Storage</b>	1* 2.5" SATA3 6Gb/s internal drive bay, 1 * mSATA	<b>Dimension</b>	232 (W) x 152 (D) x 44 (H) mm
<b>Expansion Slot</b>	1* half size Mini PCIe (for WiFi expansion), 1* full size Mini PCIe		
<b>Front I/O</b>	1* Power LED, 1* HDD LED, 2* USB 3.0, 1* COM, 4* RJ45 (3* i225V + 1* i219LM), 2* RJ45 (Intel i350 / option)		
<b>Rear I/O</b>	1* Power switch, 1* HDMI, 1* COM or GPIO (Option), 1* DC-in jack, Support Antenna up to 6		
	Internal: 1* SIM card slot		

\*The Specification may be changed without further notice.  
www.jetwayipc.com

# HBJC142I97-2930-R

Features **intel** **FC** **CE** **RoHS**  
COMPLIANT

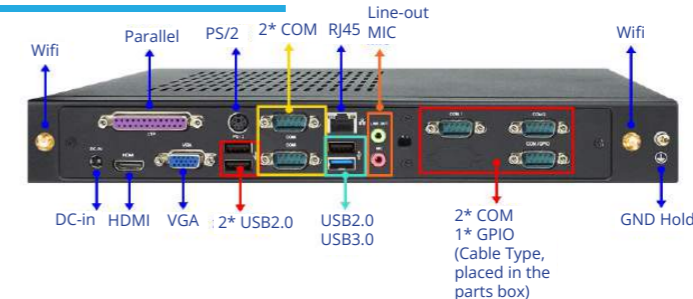
- Intel® Bay Trail N2930 SoC Processor
- 1\* DDR3L 1333MHz SO-DIMM up to 8GB
- 5\* USB2.0, 1\* USB3.0, 2\* COM, 1\* Parallel, 1\* HDMI, 1\* VGA, 1\* RJ45, 1\* MIC, 1\* Line out
- M/B Form Factor : Mini ITX (170x170mm)
- DC-12V\_60W Adapter
- TPM 2.0 (Optional)



## Front IO



## Rear IO



## Specifications

<b>Processor</b>	Intel® Bay Trail N2930 Processor	<b>Power</b>	12V DC Power in DC-12V_60W Adapter
<b>Chipset</b>	SoC		
<b>Memory</b>	1* DDR3L 1333MHz SO-DIMM up to 8GB	<b>Temperature</b>	Operating : 0°C~50°C Storage : -10°C~70°C
<b>Ethernet</b>	1* Realtek RTL8119I GbE		
<b>Display Output</b>	1* HDMI, 1* VGA		
<b>Storage</b>	1* M.2 M-Key (2242/2280, SATA interface), 1* 2.5" SATAIII Device	<b>Dimension</b>	330 (W) x 192 (D) x 44 (H) mm
<b>Expansion Slot</b>	1* M.2 E-Key (2230) For WIFI (Optional), 1* M.2 B-key (3042, USB2.0 interface) W/SIM card holder		
<b>Front I/O</b>	1* Power button, 1* Reset button, 1* Power LED, 1* HDD LED, 2* USB2.0		
<b>Rear I/O</b>	1* USB3.0, 3* USB2.0, 1* PS/2, 1* HDMI, 1* VGA, 1* RJ45, 1* Line-out, 1* MIC, 1* Parallel, 2* COM (RS232/422/485), 2* COM, 1* GPIO, 1* DC-in Jack		

\*The Specification may be changed without further notice.  
www.jetwayipc.com

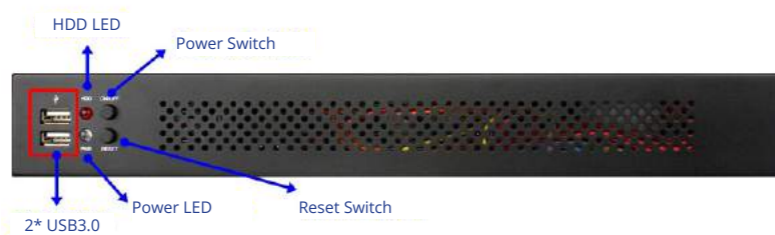
# HBJC143F693-H110-B

Features **intel** **FC** **CE** **RoHS**  
COMPLIANT

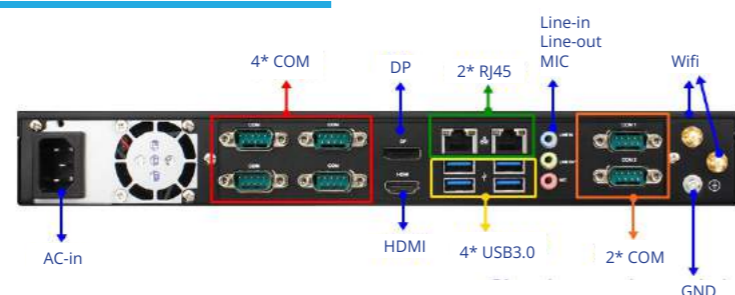
- Intel® LGA1151 Socket Processor with H110 chipset (max.65W)
- 2\* DDR4-2133Mhz SO-DIMM up to 32GB
- 2\* USB2.0, 4\* USB3.0, 1\* HDM, 1\* DP, 2\* RJ45, 1\* MIC, 1\* Line in, 1\* Line out
- M/B Form Factor : Mini ITX (170x170mm)
- AC Power Socket, 1U 200W FLEX Power



## Front IO



## Rear IO



## Specifications

<b>Processor</b>	Intel® LGA1151 Socket Core i3,i5,i7 & Pentium Processors	<b>Power</b>	90V~240V AC Power in 200W FLEX Power inside
<b>Chipset</b>	Intel H110 chipset	<b>Temperature</b>	Operating : 0°C~50°C Storage : -10°C~70°C
<b>Memory</b>	2* DDR4 2133MHz SO-DIMM up to 32GB	<b>Dimension</b>	192(D) x 330(W) x 44(H) mm
<b>Ethernet</b>	2* Realtek® 8111H Gigabit LAN		
<b>Display Output</b>	1* HDMI, 1* DP		
<b>Storage</b>	1* M.2 (M key-2242), 1* 2.5" Device		
<b>Expansion Slot</b>	1* Mini PCI Express (full size)		
<b>Front I/O</b>	1* Power LED, 1* HDD LED, 1* Power Button, 2* USB 2.0		
<b>Rear I/O</b>	4* USB 3.0, 2* RJ45, 1* HDMI, 1* DP, 6* COM (Max.), 1* Line out, 1* MIC, 1* AC IN		

\*The Specification may be changed without further notice.  
www.jetwayipc.com

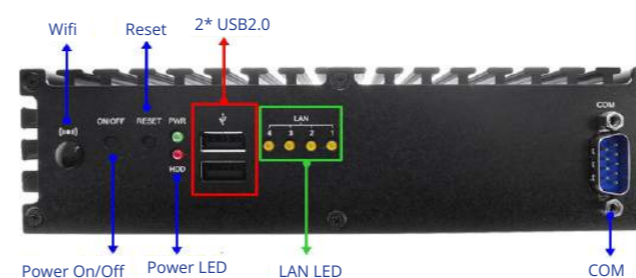
# HBJC375F533MS-19B4

Features **intel** **FC** **CE** **RoHS**  
COMPLIANT

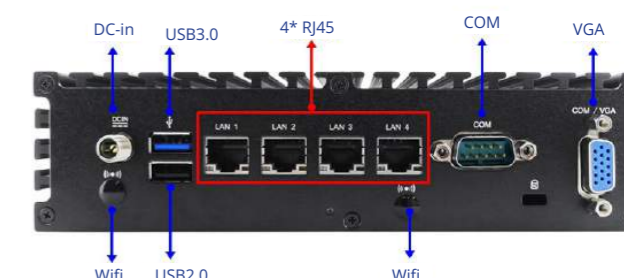
- Intel® BayTrail J1900 Processor
- 1\* DDR3L 1333MHz SODIMM up to 8GB
- 1\* VGA, 4\* RJ45, 3\* USB2.0, 1\* USB3.0, 2\* COM
- M/B Form Factor : 3.5" (148x102mm)
- DC-12V\_60W Adapter



## Front IO



## Rear IO



## Specifications

<b>Processor</b>	Intel® Bay Trail J1900 Processor (TDP 10W)	<b>Power</b>	12V DC Power in DC-12V_60W Adapter
<b>Chipset</b>	SoC	<b>Temperature</b>	Operating : 0°C~50°C Storage : -10°C~70°C
<b>Memory</b>	1* DDR3L 1333 MHz SDRAM up to 8GB	<b>Dimension</b>	185(W) x 142(H) x 48(D) mm
<b>Ethernet</b>	4* Intel i211AT GbE		
<b>Display Output</b>	1* VGA		
<b>Storage</b>	1* M.2 (M-key, 2242), 1* 2.5" SATAIII Device		
<b>Expansion Slot</b>	1* full size Mini-PCIe slot (FOR expansion 2* LAN), 1* M.2-2230, E-key (for wifi)		
<b>Front I/O</b>	1* Power LED, 1* HDD LED, 1* Power Button, 1* Reset button, 2* USB 2.0, 4* LAN LED, 1* COM		
<b>Rear I/O</b>	1* USB 3.0, 1* USB 2.0, 1* VGA, 4* RJ45, 1* COM, 1* Lockable DC-in Jack		

\*The Specification may be changed without further notice.  
www.jetwayipc.com

# HBFD731-3855-B Series

## Features

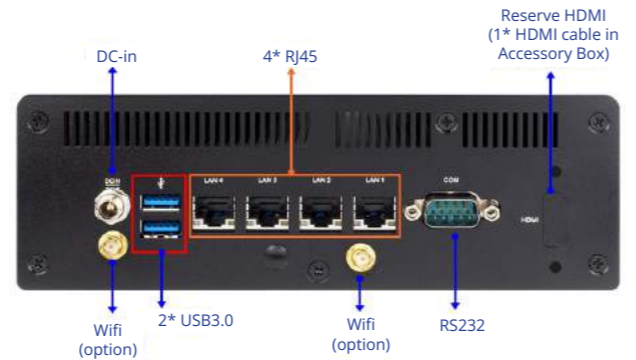
- Intel® Skylake Celeron 3855U/3955U Processor
- 1\* DDR4 2133MHz SO-DIMM up to 16GB
- 1\* HDMI, 4\* RJ45, 2\* USB 3.0, 2\* USB 2.0, 2\* COM (Max.)
- M/B Form Factor : 3.5" (148x102mm)
- DC-12V\_60W Adapter



### Front IO



### Rear IO



## Specifications

<b>Processor</b>	Intel® Skylake Celeron 3855U/3955U Processor	<b>Power</b>	12V DC Power in DC-12V_60W Adapter
<b>Chipset</b>	SoC	<b>Temperature</b>	Operating : 0°C~50°C Storage : -10°C~70°C
<b>Memory</b>	1* DDR4 2133MHz SO-DIMM up to 16GB		
<b>Ethernet</b>	3* Intel i211AT & 1* Intel i219LM GbE		
<b>Display Output</b>	1* HDMI		
<b>Storage</b>	1* mSATA (full size), 1* 2.5" Device	<b>Dimension</b>	142.5(D) x 193(W) x 62(H) mm
<b>Expansion Slot</b>	2* Mini PCI Express (full & half size)		
<b>Front I/O</b>	1* Power LED, 1* HDD LED, 1* Power Button, 1* Reset button, 2* USB 2.0, 4* NIC LEDs, 1* Reserved COM, 1* GPIO		
<b>Rear I/O</b>	2* USB 3.0, 4* RJ45, 1* HDMI, 1* COM, 1* DC jack		

\*The Specification may be changed without further notice.  
www.jetwayipc.com

## Note :

\*The Specification may be changed without further notice.  
www.jetwayipc.com

PICO-ITX  
NUC  
3.5"  
Mini-ITX  
Desktop  
Network  
Expand  
WT  
WV  
Hummer  
Rackmount  
ARM

PICO-ITX  
NUC  
3.5"  
Mini-ITX  
Desktop  
Network  
Expand  
WT  
WV  
Hummer  
Rackmount  
ARM

# HBJC390F541S Series



## Features

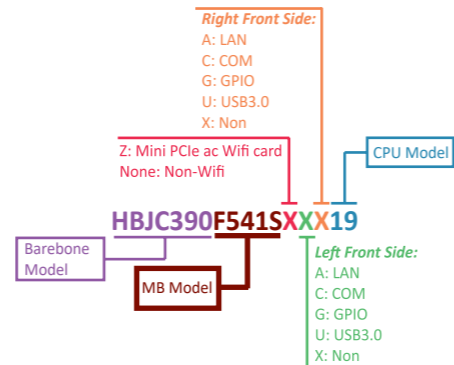
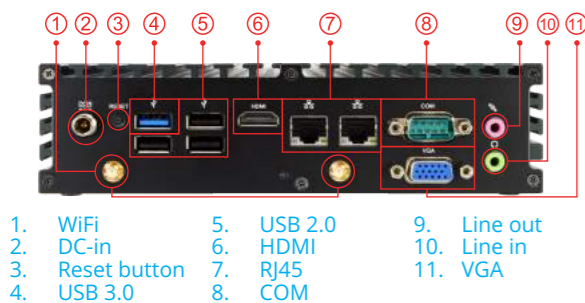


- Intel® Bay Trail SoC Processor
- 1\* SO-DIMM DDR3L 1333MHz up to 8GB
- 3\* USB2.0, 1\* USB3.0, 1\* COM, 1\* VGA, 1\* HDMI, 2\* RJ45, 1\* MIC, 1\* Line out
- Product Dimension : 185 x 165 x 48 mm
- DC-12V\_60W Lockable Adapter

## Specifications

<b>Processor</b>	Intel® Bay Trail J1900 SoC Processor	<b>Power</b>	12V DC Power in DC-12V_60W Adapter
<b>Chipset</b>	SoC	<b>Temperature</b>	Operating : 0°C~50°C Storage : -10°C~70°C
<b>Memory</b>	1* DDR3L-1066/1333 SO-DIMM up to 8GB	<b>Dimension</b>	185 (W) x 165 (D) x 48 (H) mm
<b>Ethernet</b>	2* Intel i211AT GbE	<b>Expansion Slot</b>	2* Mini PCI Express (full size)
<b>Display Output</b>	1* HDMI, 1* VGA	<b>Front I/O</b>	1* Power LED, 1* HDD LED, 1* Power Button (Different interfaces such as 8* USB 3.0 & 32 bit GPIO & 8* COM & 8* LAN can be selected)
<b>Storage</b>	1 * Full-size mSATA/Mini-PCI Express shared slot, 1* 2.5" Device	<b>Rear I/O</b>	1* USB 3.0, 3* USB 2.0, 2 * RJ45, 1* HDMI, 1* VGA, 1* COM, 1* Line out, 1* MIC, 1* Reset button, 1* DC jack

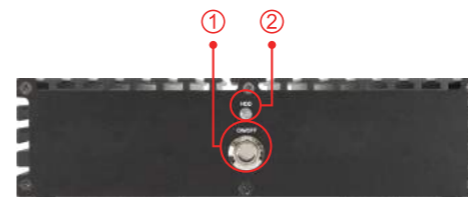
## Rear IO



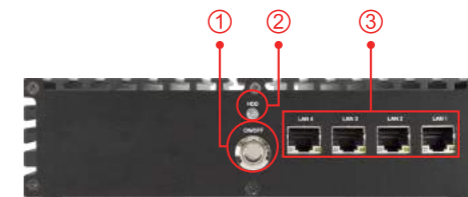
\*The Specification may be changed without further notice.  
www.jetwayipc.com

## Front IO

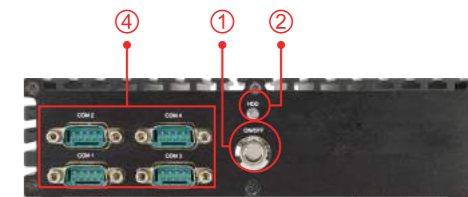
HBJC390F541S(Z)XX19



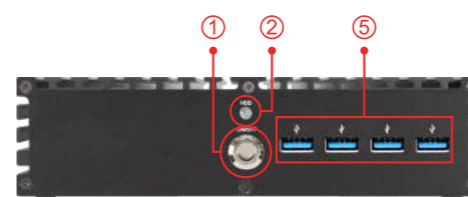
HBJC390F541S(Z)XA19



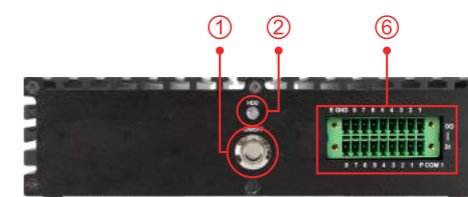
HBJC390F541S(Z)CX19



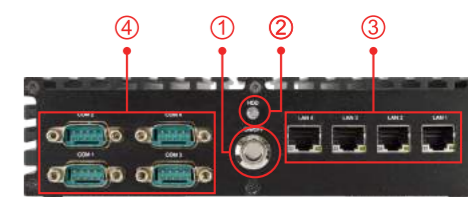
HBJC390F541S(Z)XU19



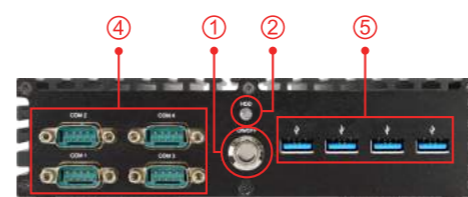
HBJC390F541S(Z)XG19



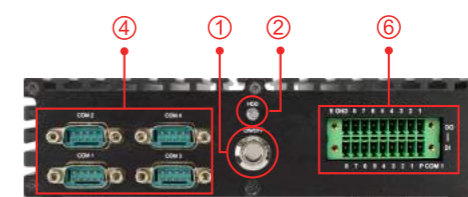
HBJC390F541S(Z)CA19



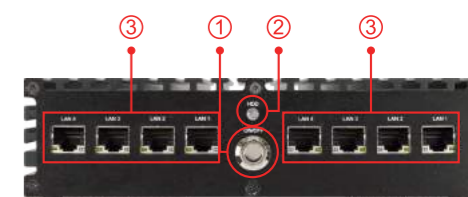
HBJC390F541S(Z)CU19



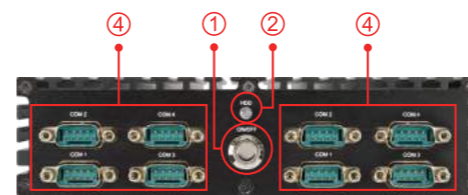
HBJC390F541S(Z)CG19



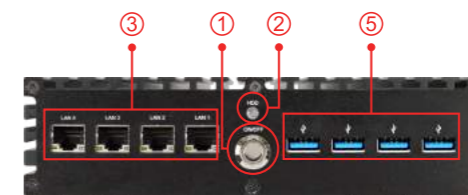
HBJC390F541S(Z)AA19



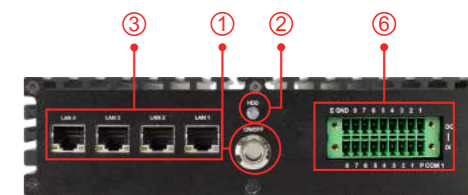
HBJC390F541S(Z)CC19



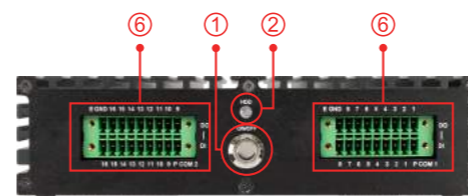
HBJC390F541S(Z)AU19



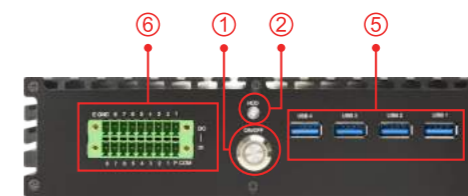
HBJC390F541S(Z)AG19



HBJC390F541S(Z)GG19



HBJC390F541S(Z)GU19



1. PW button
2. HDD LED
3. RJ45(LAN)
4. COM
5. USB 3.0
6. GPIO

\*The Specification may be changed without further notice.  
www.jetwayipc.com

# HBJC390F841V Series



## Features

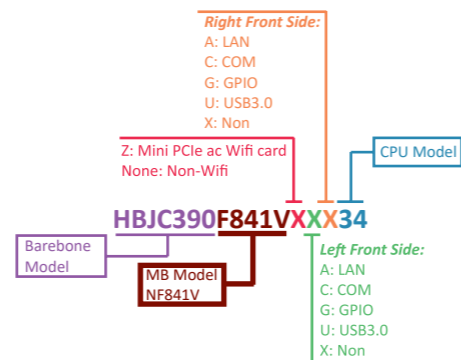
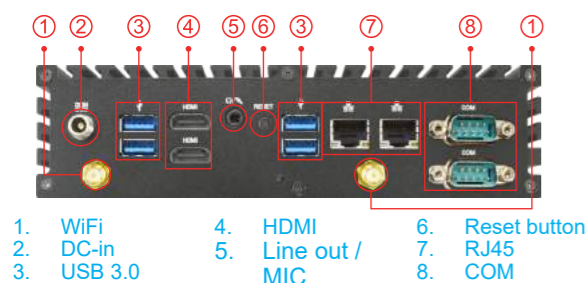


- Intel® Apollo Lake SoC Processor (J3455)
- 1\* SO-DIMM DDR3L 1866MHz up to 8GB
- 4\* USB3.0, 2\* COM, 2\* HDMI, 1\* Audio, 2\* RJ45
- Product Dimension: 185 x 165 x 48 mm
- DC-12V\_60W Lockable Adapter
- TPM2.0 (option)

## Specifications

<b>Processor</b>	Intel® Apollo Lake J3455 Processor	<b>Power</b>	12V DC Power in DC-12V_60W Adapter
<b>Chipset</b>	SoC		
<b>Memory</b>	1* DDR3L 1866MHz SO-DIMM up to 8GB	<b>Temperature</b>	Operating : 0°C~50°C Storage: -10°C~70°C
<b>Ethernet</b>	2* Intel® i225V 2.5GbE		
<b>Display Output</b>	2* HDMI 1.4		
<b>Storage</b>	1* M.2 M-Key (2280, SATA interface) for SSD, 1* 2.5" Device	<b>Dimension</b>	165(D) x 185(W) x 48(H) mm
<b>Expansion Slot</b>	1* Mini-PCIe Full size (USB2.0/PCIe x1 interface)		
<b>Front I/O</b>	1* Power LED, 1* HDD LED, 1* Power Button (Different interfaces such as 8* USB 3.0 & 32 bit GPIO & 8* COM & 8* LAN can be selected)		
<b>Rear I/O</b>	4* USB 3.0, 2* HDMI, 2* RJ45, 1* Audio combo Jack (Line-out & MIC), 2* COM (RS232), Lockable DC-in jack		

## Rear IO



\*The Specification may be changed without further notice.  
www.jetwayipc.com

## Front IO

HBJC390F841V(Z)XX34B    HBJC390F841V(Z)XA34B    HBJC390F841V(Z)CX34B

HBJC390F841V(Z)XU34B    HBJC390F841V(Z)XG34B    HBJC390F841V(Z)CA34B

HBJC390F841V(Z)CU34B    HBJC390F841V(Z)CG34B    HBJC390F841V(Z)AA34B

HBJC390F841V(Z)CC34B    HBJC390F841V(Z)AU34B    HBJC390F841V(Z)AG34B

HBJC390F841V(Z)GG34B    HBJC390F841V(Z)GU34B

1. PW button  
2. HDD LED  
3. RJ45(LAN)  
4. COM  
5. USB 3.0  
6. GPIO

\*The Specification may be changed without further notice.  
www.jetwayipc.com



PICO-ITX  
NUC  
3.5"  
Mini-ITX  
Desktop  
Network  
Expand  
WT  
WV  
Hummer  
Rackmount  
ARM

PICO-ITX  
NUC  
3.5"  
Mini-ITX  
Desktop  
Network  
Expand  
WT  
WV  
Hummer  
Rackmount  
ARM

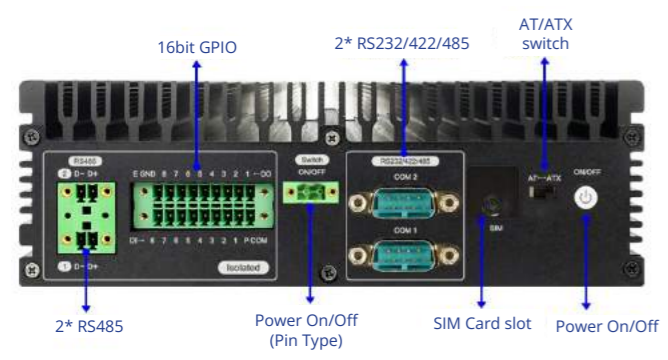
# HBJC386F951T-394B

Features **intel** **FC** **CE** **RoHS**  
COMPLIANT

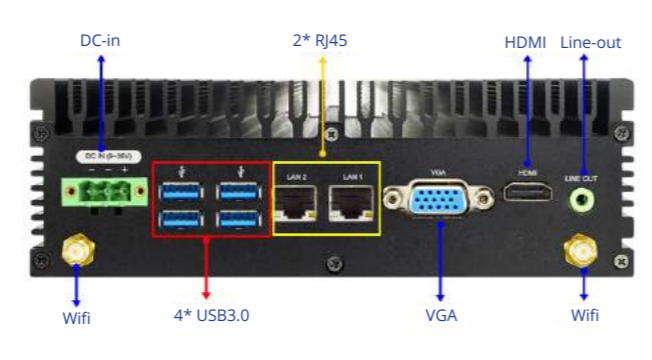
- Intel® Apollo Lake-I Series Processor
- 1\* DDR3L 1866MH SO-DIMM up to 8GB
- 2\* COM, 2\* RS485(isolated), 1\* GPIO, 1\* SIM Card slot, 4\* USB3.0, 1\* VGA, 1\* HDMI, 2\* RJ45
- Operating Temperature: -20°C~70°C
- DC 9~36V input, DC-19V\_90W Adapter



## Front IO



## Rear IO



## Specifications

<b>Processor</b>	Intel® Apollo Lake-I Series Processor (default E3940)	<b>Power</b>	9V~36V DC Power in (Phoenix terminal) DC-19V_90W Adapter
<b>Chipset</b>	SoC		
<b>Memory</b>	1* DDR3L 1866MHz SO-DIMM up to 8GB	<b>Temperature</b>	Operating : -20°C~70°C Storage : -10°C~70°C
<b>Ethernet</b>	2* Intel i210 IT GbE		
<b>Display Output</b>	1* HDMI, 1* VGA		
<b>Storage</b>	1* M.2 (M-key 2280), 1* 2.5" Device	<b>Dimension</b>	142(D) x 185(W) x 60(H) mm
<b>Expansion Slot</b>	1* Mini PCI Express (full size). 1* SIM Card Slot		
<b>Front I/O</b>	1* Power switch, 1* Power LED, 1* ATX/AT mode Switch, 1* SIM Card slot, 2* RS232/422/485 (COM1 w/power), 1* Power switch (2 PIN out), 1* GPIO (Isolation, Output Voltage 5~20VDC), 2* RS485 (Isolation Protection		
<b>Rear I/O</b>	2,500VDC) 4* USB3.0, 2* RJ45, 1* VGA, 1* Line out, 1* DC-in (3 Pin Phoenix terminal)		

\*The Specification may be changed without further notice.  
www.jetwayipc.com

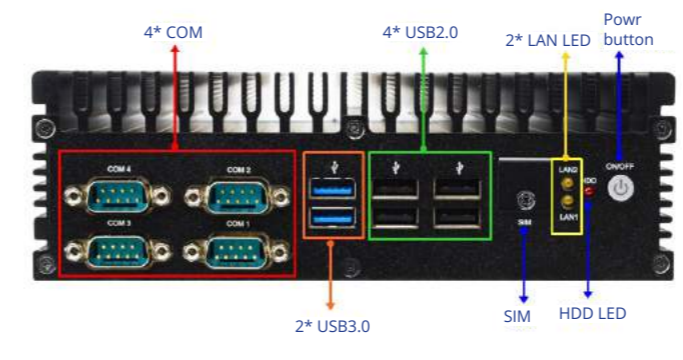
# HBJC386Z9300-J19B

Features **intel** **FC** **CE** **RoHS**  
COMPLIANT

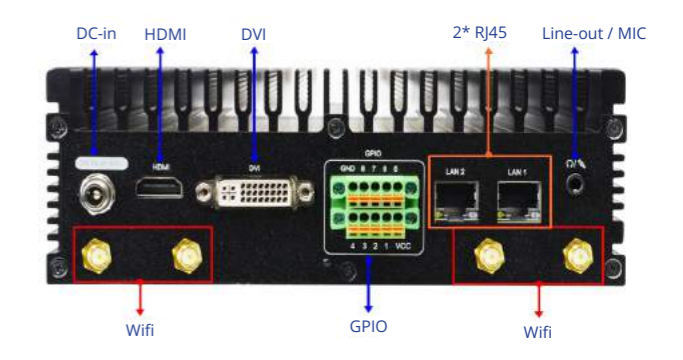
- Intel® Bay Trail J1900 SoC Processor
- 1\* DDR3L-1333MHz SO-DIMM up to 8GB
- 1 \* DVI-I, 1 \* HDMI, 2 \* USB3.0, 4 \* USB2.0, 4 \* COM (COM1: RS485)
- M/B Form Factor : 3.5" (148x102mm)
- Operating Temperature: -40°C~70°C
- DC-12V\_60W Adapter (Lockable type)



## Front IO



## Rear IO



## Specifications

<b>Processor</b>	Intel® Bay Trail J1900 SoC Processor	<b>Power</b>	9~24V DC Power in DC-12V_60W Adapter
<b>Chipset</b>	SoC		
<b>Memory</b>	2* DDR3L 1600MHz SO-DIMM up to 16GB	<b>Temperature</b>	Operating : 0°C~50°C Storage : -10°C~70°C
<b>Ethernet</b>	1* Intel I211AT GbE, 1* Intel I218LM		
<b>Display Output</b>	2* HDMI		
<b>Storage</b>	1* mSATA, 1* 2.5" Device	<b>Dimension</b>	142(D) x 185(W) x 60(H) mm
<b>Expansion Slot</b>	1* Mini PCI Express (half size)		
<b>Front I/O</b>	1* Power LED, 1* HDD LED, 1* Power Button, 1* Reset Button, 2* USB2.0, 4* COM (Max.), 1* MIC, 1* Line out		
<b>Rear I/O</b>	4* USB3.0, 2* USB2.0, 2* RJ45, 2* HDMI, 1* Line out, 1* DC jack		

\*The Specification may be changed without further notice.  
www.jetwayipc.com

PICO-ITX  
NUC  
3.5"  
Mini-ITX  
Desktop  
Network  
Expand  
WT  
WW  
Hummer  
Rackmount  
ARM

PICO-ITX  
NUC  
3.5"  
Mini-ITX  
Desktop  
Network  
Expand  
WT  
WW  
Hummer  
Rackmount  
ARM

# HBJC142F697-Q170B

Features **intel. FC CE RoHS COMPLIANT**

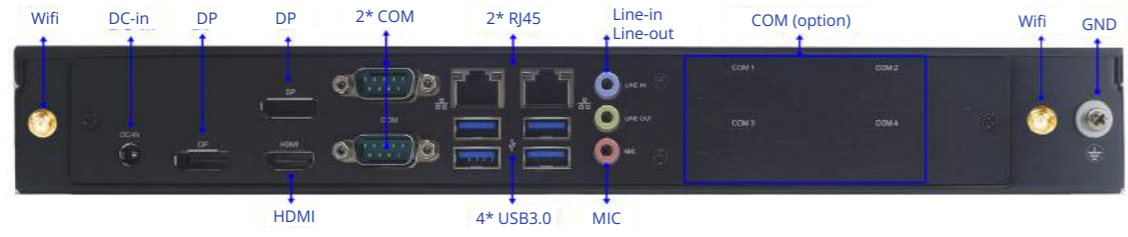
- Intel LGA 1151 Core i3/i5/i7 Processors(35W)
- 2\* DDR4 2133MHz SO-DIMM up to 32GB
- 1\* HDMI, 2\* DP, 2\* RJ45, 4\* USB 3.0, 2\* USB 2.0, 6\* COM
- M/B Form Factor : Mini ITX (170x170mm)
- 9~24V DC in
- DC-19V\_120W Adapter



## Front IO



## Rear IO



## Specifications

<b>Processor</b>	Intel® LGA 1151 Core i3/i5/i7 Processors (35W)	<b>Power</b>	9~24V DC Power in DC-19V_120W Adapter
<b>Chipset</b>	Intel Q170 chipset	<b>Temperature</b>	Operating : 0°C~50°C Storage : -10°C~70°C
<b>Memory</b>	2* DDR4 2133MHz SO-DIMM up to 32GB	<b>Dimension</b>	192(D) x 330(W) x 44(H) mm
<b>Ethernet</b>	1* Intel i211AT & 1* Intel i219LM GbE		
<b>Display Output</b>	1* HDMI, 2* DP		
<b>Storage</b>	2* 2.5" Device		
<b>Expansion Slot</b>	1* Mini PCI Express (full size)		
<b>Front I/O</b>	1* Power LED, 1* HDD LED, 1* Power Button, 2* USB 2.0		
<b>Rear I/O</b>	4* USB 3.0, 2* RJ45, 1* HDMI, 2* DP, 6* COM, 1* Line in, 1* Line out, 1* MIC, 1* DC Jack		

\*The Specification may be changed without further notice.  
www.jetwayipc.com

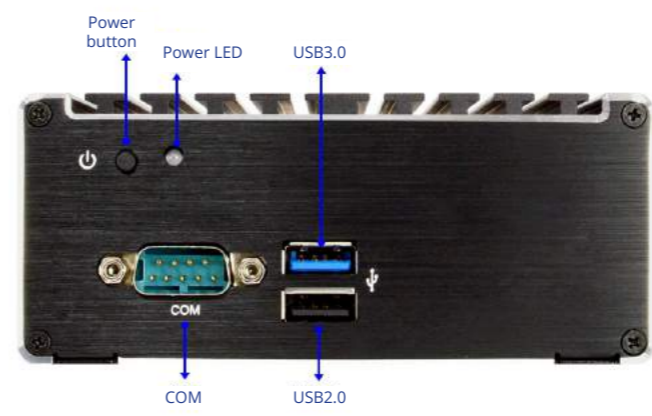
# HBJC311U93-2930-R

Features **intel. FC CE RoHS COMPLIANT**

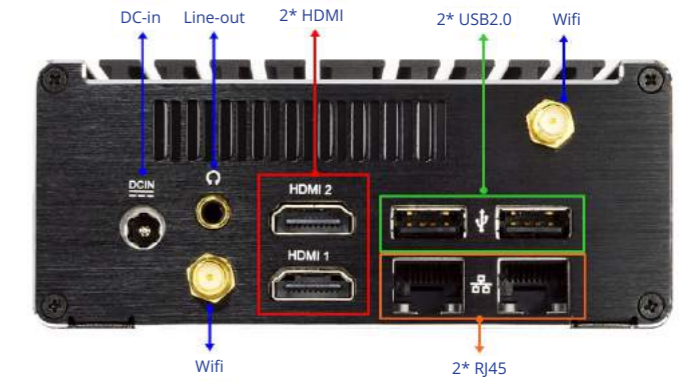
- NUC Form Factor (101mm \* 101mm)  
Design for Fanless System
- Intel® Bay Trail N2930 SoC Processor
- 1\* SO-DIMM DDR3L 1333MHz up to 8GB
- 2\* HDMI, 2\* GbE
- Supports 9V~24V DC jack on back panel for external power supply; DC-12V\_40W Adapter



## Front IO



## Rear IO



## Specifications

<b>Processor</b>	Intel® Bay Trail SoC Processor (TDP 7.5W)	<b>Power</b>	9~24V DC Power in DC-12V_40W Adapter
<b>Chipset</b>	SoC	<b>Temperature</b>	Operating : 0°C~50°C Storage : -10°C~70°C
<b>Memory</b>	1* DDR3L 1333MHz SO-DIMM up to 8GB	<b>Dimension</b>	116 (W) x 110 (D) x 49 (H) mm
<b>Ethernet</b>	2* Realtek® RTL8119I GbE		
<b>Display Output</b>	2* HDMI		
<b>Storage</b>	1* full size mSATA		
<b>Expansion Slot</b>	1* half size Mini-PCIe		
<b>Front I/O</b>	1* USB 2.0, 1* USB 3.0, 1* RS232/422/485, 1* Power LED, 1* Power Switch		
<b>Rear I/O</b>	2* USB 2.0, 2* HDMI, 2* RJ45, 1* Line-out, 1* DC-in Jack (9~24V)		

\*The Specification may be changed without further notice.  
www.jetwayipc.com

PICO-ITX  
NUC  
3.5"  
Mini-ITX  
Desktop  
Network  
Expand  
WT  
WW  
Hummer  
Rackmount  
ARM

PICO-ITX  
NUC  
3.5"  
Mini-ITX  
Desktop  
Network  
Expand  
WT  
WW  
Hummer  
Rackmount  
ARM

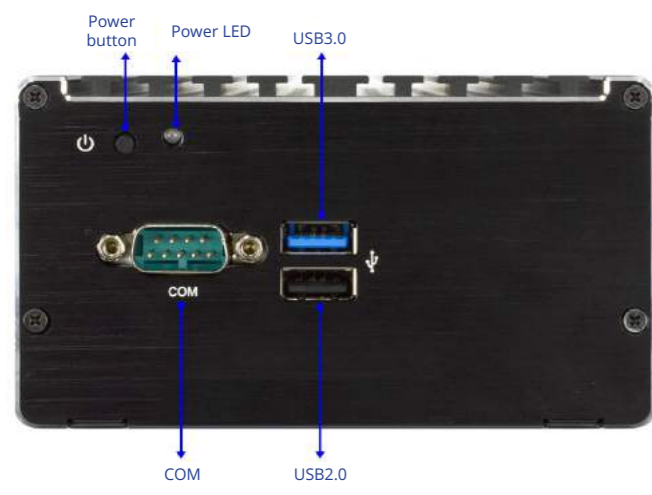
# HBJC320U93-2930-B

Features **intel** **FC** **CE** **RoHS**  
COMPLIANT

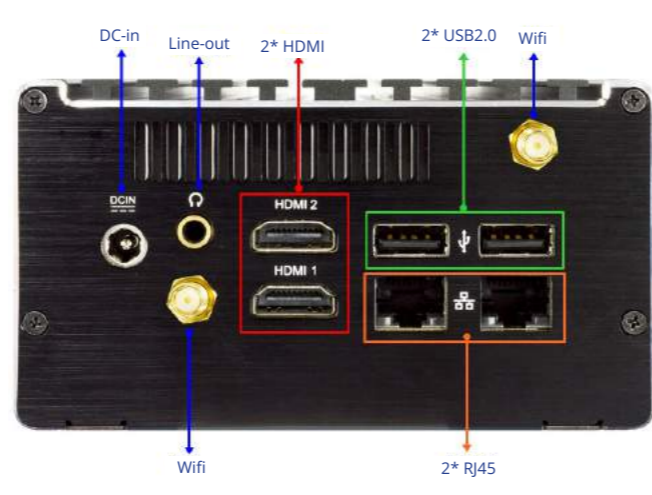
- Intel Bay Trail-M N2930 Processor
- 1\* DDR3L 1333MHz SO-DIMM up to 8GB
- 1\* COM, 2\* HDMI, 2\* RJ45, 1\* USB 3.0, 3\* USB 2.0, 1\* 2.5" Device
- M/B Form Factor : NUC (101x101mm)
- 9~24V DC in
- DC-12V\_40W Adapter



## Front IO



## Rear IO



## Specifications

<b>Processor</b>	Intel® Bay Trail-M N2930 Processor	<b>Power</b>	9~24V DC Power in DC-12V_40W Adapter
<b>Chipset</b>	SoC	<b>Temperature</b>	Operating : 0°C~50°C Storage : -10°C~70°C
<b>Memory</b>	1* DDR3L 1333MHz SO-DIMM up to 8GB	<b>Dimension</b>	110(D) x 116(W) x 65(H) mm
<b>Ethernet</b>	2* Intel 82583V GbE		
<b>Display Output</b>	2* HDMI		
<b>Storage</b>	1* mSATA (full size), 1* 2.5" Device		
<b>Expansion Slot</b>	1* Mini PCI Express (half size)		
<b>Front I/O</b>	1* USB 3.0, 1* USB 2.0, 1* COM 1* Power LED, 1* Power Button		
<b>Rear I/O</b>	2* USB 2.0, 2* HDMI, 1* Line out, 2* RJ45, 1* DC jack		

\*The Specification may be changed without further notice.  
www.jetwayipc.com

# HBJC501F697-Q17-B

Features **intel** **FC** **CE** **RoHS**  
COMPLIANT

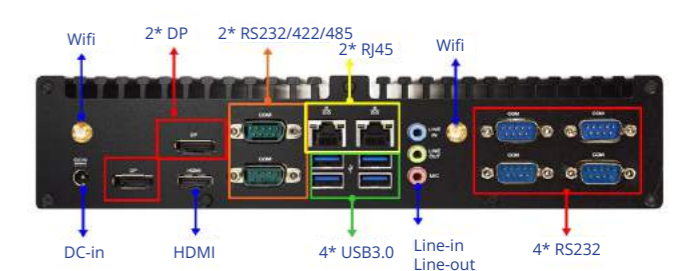
- Intel LGA 1151 Core i3/i5/i7 Processors (35W)
- 2\* DDR4 2133MHz SO-DIMM up to 32GB
- 1\* HDMI, 2\* DP, 2\* RJ45, 4\* USB 3.0, 2\* USB 2.0, 6\* COM
- M/B Form Factor : Mini ITX (170x170mm)
- 9~24V DC input
- DC-19V\_120W Adapter



## Front IO



## Rear IO



## Specifications

<b>Processor</b>	Intel® LGA 1151 Core i3/i5/i7 Processors (35W)	<b>Power</b>	9~24V DC Power in DC-19V_120W Adapter
<b>Chipset</b>	Intel® Q170 chipset	<b>Temperature</b>	Operating : 0°C~50°C Storage : -10°C~70°C
<b>Memory</b>	2* DDR4 2133MHz SO-DIMM up to 32GB	<b>Dimension</b>	199.4(D) x 264(W) x 58(H)mm
<b>Ethernet</b>	1* Intel i211AT & 1* Intel i219LM GbE		
<b>Display Output</b>	1* HDMI, 2* DP		
<b>Storage</b>	1* 2.5" Device		
<b>Expansion Slot</b>	1* Mini PCI Express (full size)		
<b>Front I/O</b>	1* Power LED, 1* HDD LED, 1* Power Button, 2* USB 2.0		
<b>Rear I/O</b>	4* USB 3.0, 2* RJ45, 1* HDMI, 2* DP, 6* COM, 1* Line in, 1* Line out, 1* MIC, 1* DC Jack		

\*The Specification may be changed without further notice.  
www.jetwayipc.com

PICO-ITX  
NUC  
3.5"  
Mini-ITX  
Desktop  
Network  
Expand  
WT  
WW  
Hummer  
Rackmount  
ARM

PICO-ITX  
NUC  
3.5"  
Mini-ITX  
Desktop  
Network  
Expand  
WT  
WW  
Hummer  
Rackmount  
ARM

# HBJC501F797-Q370-V

Features **intel** **FC** **CE** **RoHS**  
COMPLIANT

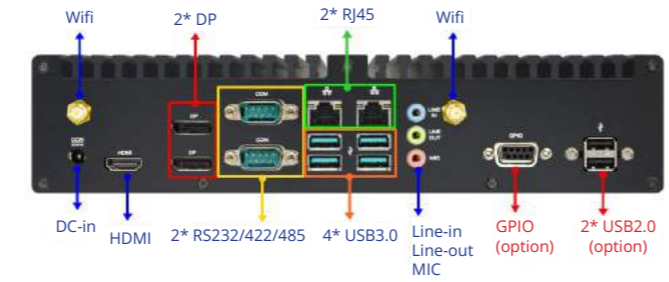
- Fanless Black Aluminum Enclosure
- Support Intel LGA1151 Coffee Lake Processors
- Supports DDR4 2400/2666MHz SODIMM up to 64GB
- Supports up to 3 Displays, 1\* HDMI, 2\* DP
- 1\* 2.5" SATAIII 6Gb/s Internal Drive bay
- 1\* M.2(M-key, 2242/2260/2280, Support NVMe) slot for SSD
- Support onboard TPM 2.0



## Front IO



## Rear IO



## Specifications

<b>Processor</b>	Intel® LGA1151 Coffee Lake Processor (35W)	<b>Power</b>	9~36V DC Power in DC-19V_120W Adapter
<b>Chipset</b>	Intel® Q370 chipset		
<b>Memory</b>	2* Dual Channel DDR4 2400/2666MHz SO-DIMM up to 64GB	<b>Temperature</b>	Operating : -20°C~50°C Storage : -10°C~70°C
<b>Ethernet</b>	1* Intel® i219LM GbE, 1* Intel® i225V 2.5GbE		
<b>Display Output</b>	1* HDMI 1.4, 2* DP		
<b>Storage</b>	1* M.2 M-Key (2242/226/2280, support NVMe) for SSD, 1* 2.5" Device	<b>Dimension</b>	264 (W) x 199.4 (D) x 58 (H) mm
<b>Expansion Slot</b>	1* PCIe x4, 1* M.2 E-Key (2230, PCIe interface)		
<b>Front I/O</b>	1* Power button, 1* HDD LED, 2* USB 2.0		
<b>Rear I/O</b>	4* USB 3.1 (Gen.2), 1* HDMI, 2* DP, 2* RJ45, 1* Audio (Line-in, Line-out, MIC), 2* RS232/422/485, 1* DC-in Jack		

\*The Specification may be changed without further notice.  
www.jetwayipc.com

# HBJC501C8HV-H310

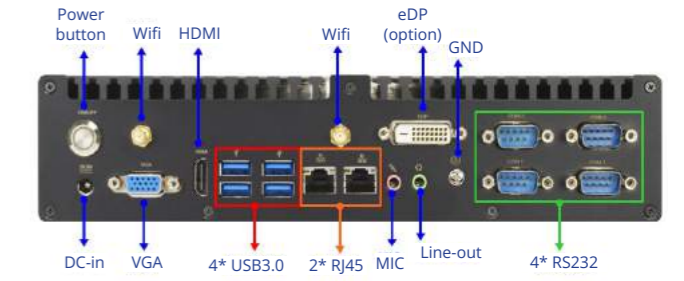
Features **intel** **FC** **CE** **RoHS**  
COMPLIANT

- Intel® LGA1151 Socket Core I3,I5,I7 Pentium Processor (Max. 35W)
- Intel® Coffee Lake-S H310 Chip
- Support Dual Channel DDR4 2133MHz up to 32GB
- 1\* Intel® I219-V GbE, 1\* Intel® i225-V 2.5GbE
- Support 1\* SATA III (6Gb/s), 1\* M.2 (M key 2242)
- Support WIFI 2.4/5G+ BT4.1
- 4\* RS232 (COM1/2 Support 5V/12V TTL)
- 4\* USB3.0
- Support HDMI/VGA /EDP (Option)
- Support Wide Voltage 12~24V DC-in



## Front IO

## Rear IO



## Specifications

<b>Processor</b>	Intel® LGA1151 Socket Core I3,I5,I7 Pentium Processor	<b>Power</b>	12~24V DC Power in DC 19V_120W Adapter
<b>Chipset</b>	Intel® Coffee Lake-S H310 chipset		
<b>Memory</b>	2 * DDR4 2133MHz SO-DIMM up to 32GB	<b>Temperature</b>	Operating : -10°C~50°C Storage : -20°C~60°C
<b>Ethernet</b>	1* Intel® I219-V GbE, 1* Intel® I225-V 2.5GbE		
<b>Display Output</b>	1* HDMI, 1* VGA, 1* eDP (Option)		
<b>Storage</b>	1* M.2 (M-key 2242), 1* 2.5" Device	<b>Dimension</b>	199.4(D) x 264(W) x 58(H)mm
<b>Expansion Slot</b>	1* M.2 M Key Socket for SSD, 1* M.2 E Key Socket for CNVi or PCI-E/USB WIFI/BT		
<b>Front I/O</b>	N/A		
<b>Rear I/O</b>	4* USB 3.0, 1* HDMI, 1* VGA, 1* eDP (Option), 2* RJ45, 4* RS232, 1* Line-out & MIC, 1* DC Jack, 1* Power Button		

\*The Specification may be changed without further notice.  
www.jetwayipc.com

PICO-ITX  
NUC  
3.5"  
Mini-ITX  
Desktop  
Network  
Expand  
WT  
WW  
Hummer  
Rackmount  
ARM

PICO-ITX  
NUC  
3.5"  
Mini-ITX  
Desktop  
Network  
Expand  
WT  
WW  
Hummer  
Rackmount  
ARM

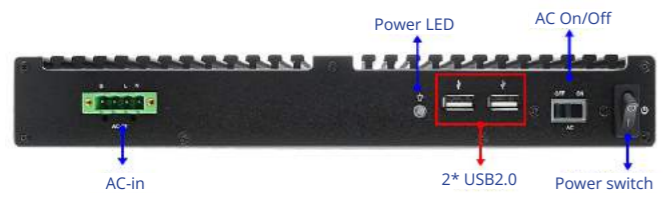
# HBJC512F532-2930-B

Features **intel** **FC** **CE** **RoHS**  
COMPLIANT

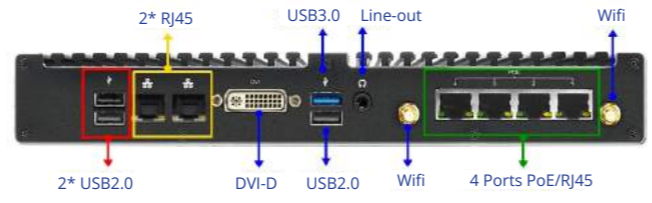
- Intel® Bay Trail-M 2930 SoC Processor
- 1\* DDR3L 1333MHz SDRAM up to 4GB
- 2\* GbE, 4\* 100M PoE LAN
- 1\* USB3.0, 5\* USB2.0, 1\* DVI-D
- M/B Form Factor : 3.5" (148x102mm)
- Support Wide Voltage 90~240 AC in



## Front IO



## Rear IO



## Specifications

<b>Processor</b>	Intel® Bay Trail-M 2930 SoC Processor	<b>Power</b>	AC 90~240V input 150W AC-DC OP Power inside
<b>Chipset</b>	Intel® N2930 chipset		
<b>Memory</b>	1* DDR3L 1333MHz SDRAM up to 4GB	<b>Temperature</b>	Operating : 0°C~50°C Storage : -10°C~70°C
<b>Ethernet</b>	4* 100M PoE LAN (DC52.5V-1.94A-102W)		
<b>Display Output</b>	1* DVI-D		
<b>Storage</b>	1* 2.5" Device	<b>Dimension</b>	199.4(D) x 264(W) x 38(H)mm
<b>Expansion Slot</b>	1* Mini PCI Express (full Size)		
<b>Front I/O</b>	1* 4 PIN AC in, 1* AC ON-OFF, 1* Power LED, 1* Power switch, 2* USB 2.0		
<b>Rear I/O</b>	1* USB3.0, 3* USB2.0, 1* DVI-D, 2* GbE, 1* Audio (Line out), 4* PoE		

\*The Specification may be changed without further notice.  
www.jetwayipc.com

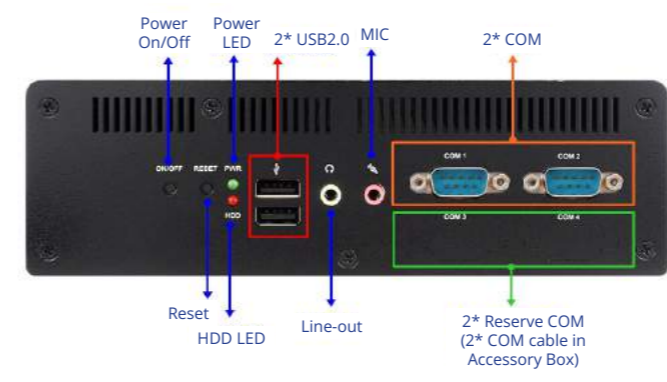
# HBFD632-7300-N

Features **intel** **FC** **CE** **RoHS**  
COMPLIANT

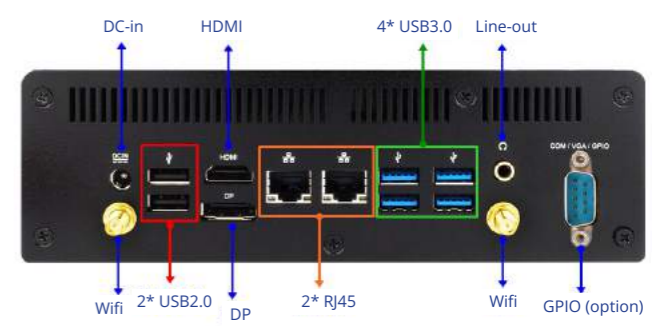
- Intel® Kaby Lake-U Processor
- Support 2\* SO-DIMM DDR4-2133, up to 32GB memory
- 1\* Full size Mini-PCIe shared with mSATA, 1\* Half size Mini-PCIe, 1\* mSATA shared with Full size Mini-PCIe
- 4\* USB2.0, 4\* USB3.0, 1\* HDMI, 1\* DP, 2\* RJ45, 4\* COM (Max), 1\* MIC-in, 2\* Line-out
- DC-12V\_60W Adapter



## Front IO



## Rear IO



## Specifications

<b>Processor</b>	Intel® Kaby Lake-U Processor (TDP 15W)	<b>Power</b>	9~24V DC Power in DC-12V_60W Adapter
<b>Chipset</b>	SoC		
<b>Memory</b>	2* DDR4 2133MHz SO-DIMM up to 32GB	<b>Temperature</b>	Operating : -20°C~50°C (mSATA or SSD) Storage : -20°C~60°C
<b>Ethernet</b>	1* Intel i211AT GbE, 1* Intel i219LM GbE		
<b>Display Output</b>	1* HDMI 1.4, 1* DP 1.2		
<b>Storage</b>	1* mSATA (shared with full size Mini-PCIe), 1* 2.5" Device	<b>Dimension</b>	193 (W) x 142.4 (D) x 62 (H) mm
<b>Expansion Slot</b>	1* Mini-PCIe half size (for WiFi expansion), 1* Mini-PCIe full size (shared with mSATA)		
<b>Front I/O</b>	2* USB 2.0, 4* COM (Max), 1* Power LED, 1* HDD LED, 1* Line-out, 1* MIC, 1* Power button, 1* Reset button		
<b>Rear I/O</b>	2* USB 2.0, 4* USB 3.0, 2* RJ45, 1* HDMI, 1* DP, 1* Line-out, 1* GPIO (optional), 2* Antenna holes (optional), 1* DC-in Jack		

\*The Specification may be changed without further notice.  
www.jetwayipc.com

PICO-ITX  
NUC  
3.5"  
Mini-ITX  
Desktop  
Network  
Expand  
WT  
WW  
Hummer  
Rackmount  
ARM

PICO-ITX  
NUC  
3.5"  
Mini-ITX  
Desktop  
Network  
Expand  
WT  
WW  
Hummer  
Rackmount  
ARM

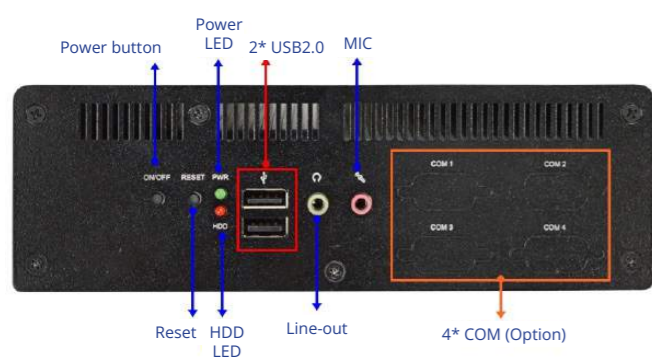
# HBPDF835-5205-V

Features **intel** **FC** **CE** **RoHS** COMPLIANT

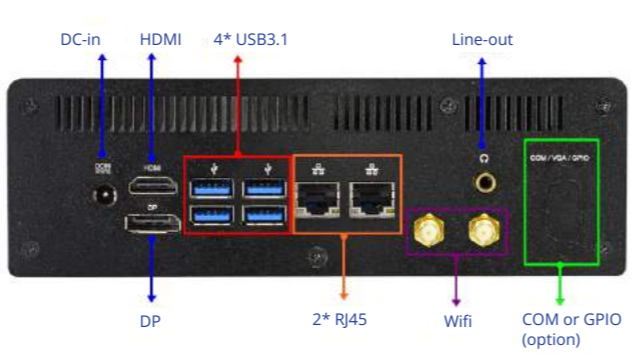
- Intel® Comet Lake-U 5205U SoC Processor
- 2\* SO-DIMM DDR4-2400MHz up to 64GB
- 2\* USB2.0, 4\* USB3.1, 1\* HDMI, 1\* DP, 2\* RJ45
- Support Max. 4K display resolution
- DC-12V\_90W Adapter



## Front IO



## Rear IO



## Specifications

<b>Processor</b>	Intel® Comet Lake-U 5205U SoC Processor (TDP 15W)	<b>Power</b>	9~24V DC Power in DC-12V_90W Adapter
<b>Chipset</b>	SoC	<b>Temperature</b>	Operating : -20°C~60°C (M.2 SSD) Storage : -20°C~70°C
<b>Memory</b>	2* DDR4-2400MHz SO-DIMM up to 64GB	<b>Dimension</b>	193 (W) x 142.4 (D) x 62 (H) mm
<b>Ethernet</b>	1* Intel® i219LM GbE, 1* Intel® i225V 2.5GbE		
<b>Display Output</b>	1* HDMI 1.4, 1* DP		
<b>Storage</b>	1* M.2 M-key (2242/2280) Support SATA interface, 1* 2.5" Device		
<b>Expansion Slot</b>	1* M.2 E-key (2230) Support CNVi (for WiFi expansion)		
<b>Front I/O</b>	1* Power button, 1* Reset button, 1* Power LED, 1* HDD LED, 2* USB 2.0, 1* Line-out, 1* MIC-in, 4* COM (Optional)		
<b>Rear I/O</b>	4* USB 3.1, 1* HDMI 1.4, 1* DP, 2* RJ45, 1* Line-out, 1* COM or GPIO (Optional), 1* DC-in		

\*The Specification may be changed without further notice.  
www.jetwayipc.com

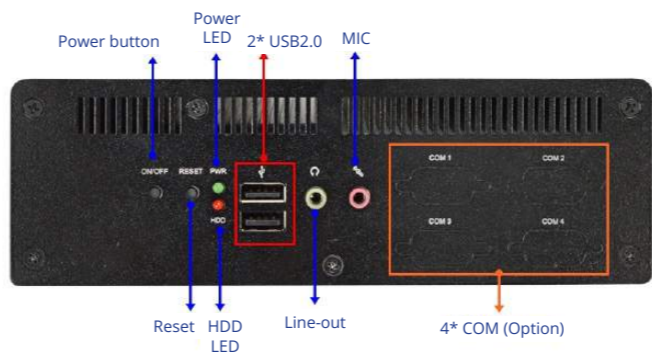
# HBPDF835-8365-V

Features **intel** **FC** **CE** **RoHS** COMPLIANT

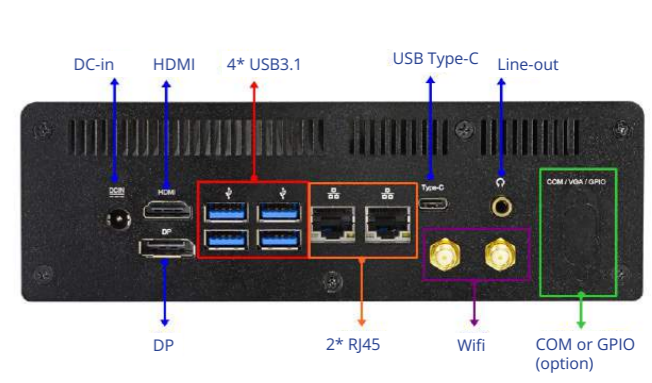
- Intel® Whiskey Lake-U Processor
- 2\* SO-DIMM DDR4-2400MHz up to 64GB
- 2\* USB2.0, 4\* USB3.1, 1\* USB Type-C, 1\* HDMI, 1\* DP, 2\* RJ45
- Support Max. 4K display resolution
- DC 90W Adapter



## Front IO



## Rear IO



## Specifications

<b>Processor</b>	Intel® Whiskey Lake-U SoC Processor (TDP 15W)	<b>Power</b>	9~24V DC Power in DC-12V_60W Adapter
<b>Chipset</b>	SoC	<b>Temperature</b>	Operating : 0°C~50°C Storage : -20°C~70°C
<b>Memory</b>	2* DDR4 2400MHz SO-DIMM up to 64GB	<b>Dimension</b>	142(D) x 193(W) x 62(H) mm
<b>Ethernet</b>	1* Intel® i219LM GbE, 1* Intel® i225V 2.5GbE		
<b>Display Output</b>	1* HDMI 1.4, 1* DP		
<b>Storage</b>	1* M.2 M-key (2242/2280) support NVMe, 1* 2.5" Device		
<b>Expansion Slot</b>	1* M.2 E-key (2230) support CNVi for WiFi expansion		
<b>Front I/O</b>	1* Power button, 1* Reset button, 1* Power LED, 1* HDD LED, 2* USB 2.0, 1* Line-out, 1* MIC, 4* COM		
<b>Rear I/O</b>	4* USB 3.1 (Gen.2), 1* USB 3.1 (Gen.2) Type C (USB data transfer only), 1* HDMI 1.4, 1* DP, 2* RJ45, 1* Line-out, 1* COM, 1* DC-in jack		

\*The Specification may be changed without further notice.  
www.jetwayipc.com

PICO-ITX  
NUC  
3.5"  
Mini-ITX  
Desktop  
Network  
Expand  
WT  
WW  
Hummer  
Rackmount  
ARM

PICO-ITX  
NUC  
3.5"  
Mini-ITX  
Desktop  
Network  
Expand  
WT  
WW  
Hummer  
Rackmount  
ARM

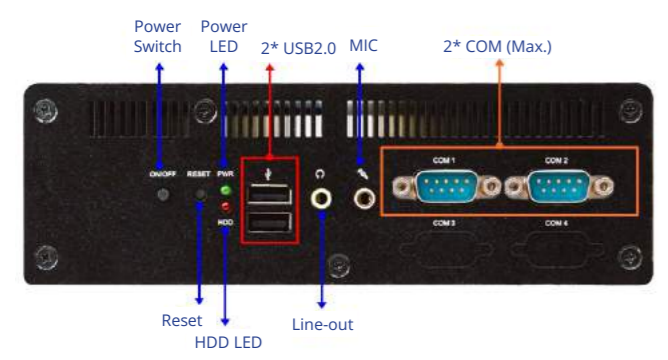
# HBFDF94 Series

Features **intel** **FC** **CE** **RoHS**  
COMPLIANT

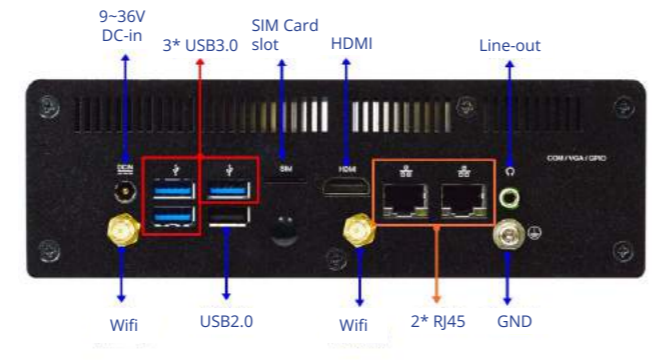
- Intel® Apollo Lake SoC Processor (Default: J3455)
- Support 1 \* SO-DIMM DDR3L-1866MHz up to 8GB
- All-aluminum body, produced by casting process
- 9~36V DC-in, DC12V\_90W Adapte



## Front IO



## Rear IO



## Specifications

<b>Processor</b>	Intel® Apollo Lake Series J3455 Processor	<b>Power</b>	9~36V DC input DC-12V_60W Adapter
<b>Chipset</b>	SoC		
<b>Memory</b>	1* DDR3L 1866MHz SO-DIMM up to 8GB	<b>Temperature</b>	Operating : 0°C~50°C Storage : -20°C~85°C
<b>Ethernet</b>	2* Intel i211AT GbE		
<b>Display Output</b>	1* HDMI		
<b>Storage</b>	1* M.2 (M-key 2242), 1* 2.5" Drive	<b>Dimension</b>	142.4(D) x 193(W) x 62(H) mm
<b>Expansion Slot</b>	1* Mini PCI Express (full size), 1* M.2 (B-key 3042)		
<b>Front I/O</b>	1* Power SW, 1* Reset, 1* Power LED, 1* HDD LED, 1* MIC, 1* Line-out, 2* COM (COM1 support RS485), 2* USB2.0		
<b>Rear I/O</b>	2* RJ45, 1* HDMI (Max. Resolution: 3840x2160@ 30Hz), 1* SIM Card slot, 1* Line out (Realtek® ALC662VD), 1* DC-in (9~36V), 1* USB2.0, 3* USB3.1 (Gen.1)		

\*The Specification may be changed without further notice.  
www.jetwayipc.com

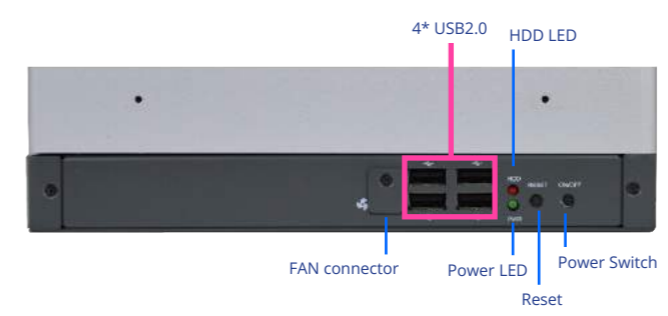
# HB650I02-Q470-B

Features **intel** **FC** **CE** **RoHS**  
COMPLIANT

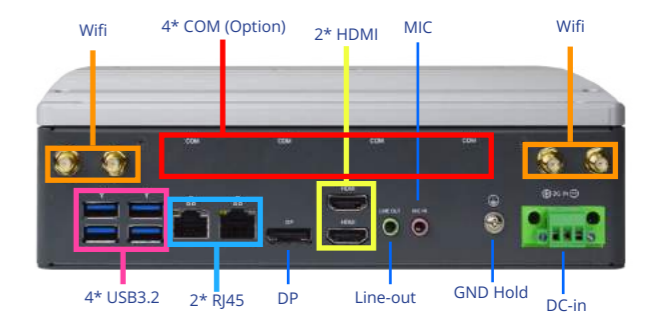
- Intel® 10/11th LGA 1200 Socket Comet Lake-S Processor
- 2\* Dual CH DDR4 2933MHz SO-DIMM up to 64GB
- 8\* USB, 2\* RJ45, 1\* Line-out, 1\* Mic, 1\* DP, 2\* HDMI, 4\*COM(Max)
- 1\* M.2 M-key 2280, 1\* M.2 E-key 2230, 1\* M.2 B-key 3042/3052
- Support TPM2.0 (option)
- Dimensions: 224 \* 199 \* 63 mm
- DC 120W Adapter



## Front IO



## Rear IO



## Specifications

<b>Processor</b>	Intel® 10/11th LGA 1200 Socket Comet Lake-S Processor (Max. 65W TDP)	<b>Power</b>	12~28V DC Power in DC-12V_120W Adapter
<b>Chipset</b>	Intel® Q470E chipset		
<b>Memory</b>	2* Dual CH DDR4 2933/2666/2400MHz SDRAM SO-DIMM up to 64GB	<b>Temperature</b>	Operating : -20°C~60°C (M.2 SSD) Storage : -20°C~60°C
<b>Ethernet</b>	1* Intel i219LM GbE, 1* Intel i225LM 2.5GbE		
<b>Display Output</b>	2* HDMI 1.4, 1* DP		
<b>Storage</b>	1* M.2 M-key (2280, PCIe4/SATA interface) support NVME	<b>Dimension</b>	224 (W) x 199 (D) x 63 (H) mm
<b>Expansion Slot</b>	1* M.2 E-key (2230) support CNVi, 1* M.2 B-key (3042/3052) W/SIM card slot		
<b>Front I/O</b>	1* Power button , 1* Reset, 1* Power LED, 1* HDD LED, 4* USB2.0, 1* FAN link con		
<b>Rear I/O</b>	2* RJ45, 4* USB3.2(Gen.1) , 1* DP, 2* HDMI, 1* Line out , 1* Mic, 1* DC in (Industrial Connector), 4* COM (option)		

\*The Specification may be changed without further notice.  
www.jetwayipc.com

PICO-ITX  
NUC  
3.5"  
Mini-ITX  
Desktop  
Network  
Expand  
WT  
WV  
Hummer  
Rackmount  
ARM

PICO-ITX  
NUC  
3.5"  
Mini-ITX  
Desktop  
Network  
Expand  
WT  
WV  
Hummer  
Rackmount  
ARM

# HB650I24-Q670-B

Features **intel** **FC** **CE** **RoHS**  
COMPLIANT

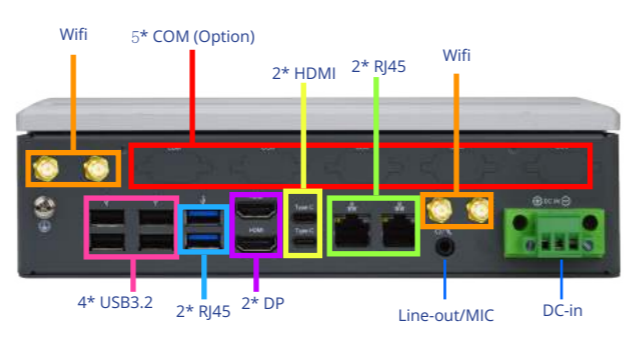
- Intel® 12/13th Alder Lake-P Processor
- 2\* DDR5 4800MHz SO-DIMM up to 64GB
- 10\* USB, 2\* RJ45, 1\* Audio combo, 2\* HDMI, 4\*COM(Max)
- 1\* M.2 M-key 2280, 1\* M.2 M-key 2242, 1\* M.2 E-key 2230, 1\* M.2 B-key 3042/3052
- Support TPM2.0 (option)
- Dimensions: 224 \* 199 \* 63 mm
- DC 120W Adapter



## Front IO



## Rear IO



## Specifications

<b>Processor</b>	Intel® 12/13th LGA1700 Socket Alder Lake-P Processor	<b>Power</b>	9~36V DC Power in DC-12V_120W Adapter
<b>Chipset</b>	Intel® Q670E chipset		
<b>Memory</b>	2* DDR5 SO-DIMM up to 64GB	<b>Temperature</b>	Operating : -20°C~70°C (M.2 SSD) Storage : -20°C~60°C
<b>Ethernet</b>	1* Intel i225-LM 2.5GbE, 1* Intel i225-V 2.5GbE		
<b>Display Output</b>	2* HDMI 2.0b		
<b>Storage</b>	1* M.2 M-key (2242/2280) support NVMe, 1* M.2 M-key (2242)	<b>Dimension</b>	224 (W) x 199 (D) x 63 (H) mm
<b>Expansion Slot</b>	1* M.2 E-key (2230) support CNVi for WiFi, 1* M.2 B-key (3042/3052) for 4G/5G module		
<b>Front I/O</b>	1* Power button + Power LED, 2* USB2.0		
<b>Rear I/O</b>	2* RJ45, 2* USB3.2(Gen.2) Type-A, 2* USB3.2(Gen.2) Type-C, 4* USB2.0, 2* HDMI, 1* Audio combo (Line out+ Mic), 1* DC in (Industrial Connector), 5* COM (2*RS232/422/485,3*RS232,option) or 4* COM + 1 * GPIO (2*RS232/422/485,2*RS232,1*GPIO,option)		

\*The Specification may be changed without further notice.  
www.jetwayipc.com

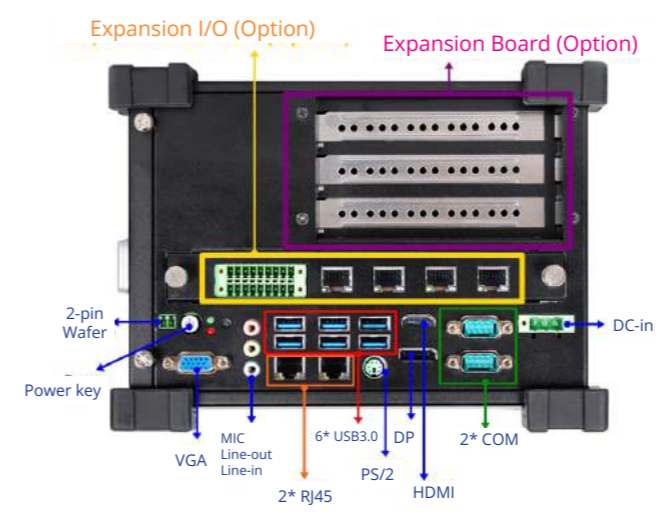
# HM-1300

Features **intel** **FC** **CE** **RoHS**  
COMPLIANT

- Intel LGA 1151 Core i3/i5/i7 Processors (45W)
- 2\* DDR4 2133MHz SO-DIMM up to 32GB
- Support 1\* PCIe x16 slot, 2\* PCI slot
- Scalability & DC 9~36V IN - wide input voltage
- Form Factor : 212x150x220mm
- DC-19V\_120W Adapter



## Rear IO



## Specifications

<b>Processor</b>	Intel® LGA 1151 Core i3/i5/i7 Processors (45W)	<b>Power</b>	9~36V DC Power in Phoenix terminal-3 PIN
<b>Chipset</b>	Intel® Q170 chipset		
<b>Memory</b>	2* DDR4 2133MHz SO-DIMM up to 32GB	<b>Temperature</b>	Operating : -10°C~60°C Storage : -20°C~70°C
<b>Ethernet</b>	1* Intel i211AT & 1* Intel i219LM GbE		
<b>Display Output</b>	1* VGA, 1* HDMI, 1* DP		
<b>Storage</b>	1* M.2 (2260/2280), 1* 2.5" Device	<b>Dimension</b>	212(D) x 150(W) x 220(H) mm
<b>Expansion Slot</b>	1* Mini PCI Express (full size), 1* PCI Express x 16 Slots, 2* PCI Slots		
<b>Front I/O</b>	N/A		
<b>Rear I/O</b>	1* Power Button, 1* Reset button, 1* Power LED, 1* HDD LED, 1* VGA, 2* RJ45, 4* USB 3.0, 2* USB 2.0, 1* HDMI, 1* DP, 2* COM, 1* PS/2, 1* Line in, 1* Line out, 1* MIC, 1* DC in Connector, 1* FP Power Connector		

\*The Specification may be changed without further notice.  
www.jetwayipc.com



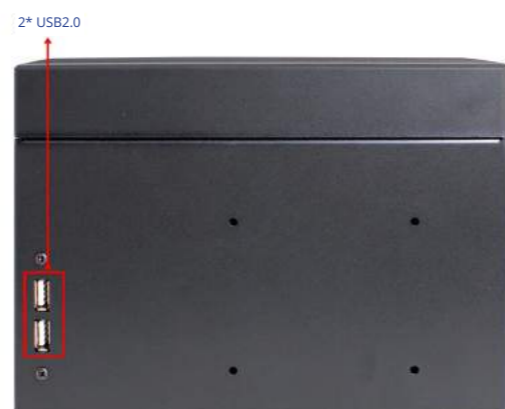
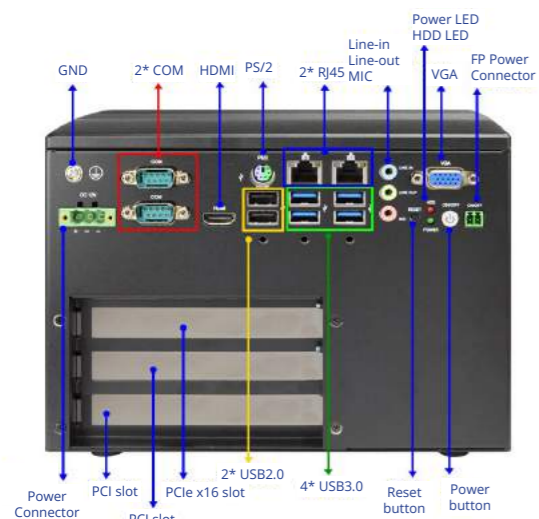
# HM-3000

Features **intel** **FC** **CE** **RoHS** COMPLIANT

- Intel® LGA 1151 Core i3/i5/i7 Processors (45W)
- 2\* DDR4 2133MHz SO-DIMM up to 32GB
- 1\* HDMI, 1\* VGA, 2\* RJ45, 4\* USB 3.0, 2\* USB 2.0, 2\* RS232/422/485, 1\* Audio
- Form Factor : 212x131x220mm
- DC-19V\_120W Adapter



## Rear IO



## Specifications

<b>Processor</b>	Intel® LGA 1151 Core i3/i5/i7 Processors(45W)	<b>Power</b>	19V DC Power in Phoenix terminal-3 PIN
<b>Chipset</b>	Intel® H110 chipset		
<b>Memory</b>	2* DDR4 2133MHz SO-DIMM up to 32GB	<b>Temperature</b>	Operating : -10°C~60°C Storage : -20°C~70°C
<b>Ethernet</b>	1* Intel i211AT & 1* Intel i219LM GbE		
<b>Display Output</b>	1* VGA, 1* HDMI		
<b>Storage</b>	1* mSATA (full size shared), 1* 2.5" Device	<b>Dimension</b>	212 (W) x 150 (D) x 220 (H) mm
<b>Expansion Slot</b>	1* Mini PCI Express (full size), 1* PCI Express x 16 Slots, 2* PCI Slots		
<b>Front I/O</b>	N/A		
<b>Rear I/O</b>	1* Power Button, 1* Reset button, 1* Power LED, 1* HDD LED, 1* VGA, 2* RJ45, 4* USB 3.0, 2* USB 2.0, 1* HDMI, 2* COM, 1* PS/2, 1* Line in, 1* Line out, 1* MIC, 1* DC in Connector, 1* FP Power Connector		

\*The Specification may be changed without further notice.  
www.jetwayipc.com

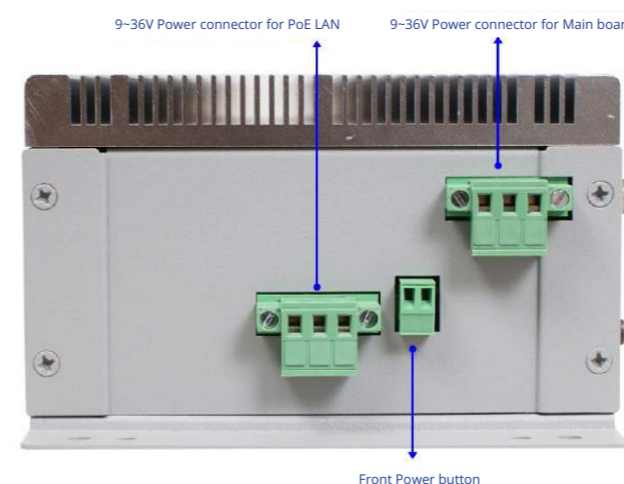
# HM-5000

Features **intel** **FC** **CE** **RoHS** COMPLIANT

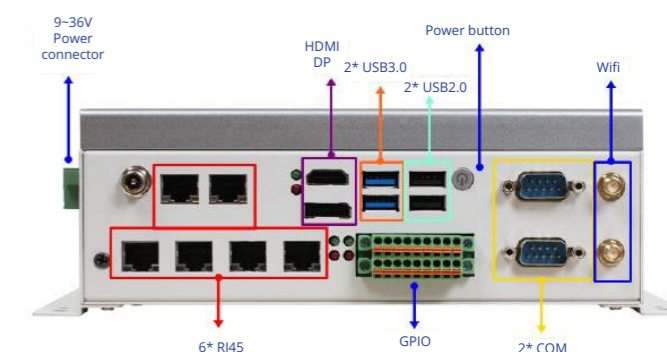
- Intel® Whiskey lake U series Processor
- 2\* DDR4 2400/2133HMz SO-DIMM up to 32GB
- 1\* HDMI, 1\* DP
- 2\* RS232/422/485, 2\* GbE, 4\* PoE, 1\* GPIO, 2\* USB3.0, 2\* USB2.0
- 9~36V DC input



## Front IO



## Rear IO



## Specifications

<b>Processor</b>	Intel® Whiskey lake U series Processor	<b>Power</b>	9~36V DC Power in DC-12V_60W Adapter
<b>Chipset</b>	SoC		
<b>Memory</b>	2* DDR4 2400/2133HMz SO-DIMM up to 32GB	<b>Temperature</b>	Operating : 0°C~50°C Storage : -10°C~70°C
<b>Ethernet</b>	1* Intel i219LM GbE, 1* Intel i211AT GbE, 4* PoE		
<b>Display Output</b>	1* HDMI, 1* DP		
<b>Storage</b>	1* M.2 (M-key-2242, 2280), 1* 2.5" Device	<b>Dimension</b>	216.8 (W) x 124 (D) x 86 (H) mm
<b>Expansion Slot</b>	1* M.2 (E-key 2230), 1* M.2 (B-key 3042, 3052)		
<b>Front I/O</b>	Side: 1* 3-pin terminal block for Main board, 1* 3-pin terminal block for 4* PoE, 1* 2-pin power connector		
<b>Rear I/O</b>	1* HDMI, 1* DP, 2* RS232/422/485, 2* GbE, 4* PoE, 1* GPIO, 2* USB3.0, 2* USB2.0, 1* power button		

\*The Specification may be changed without further notice.  
www.jetwayipc.com

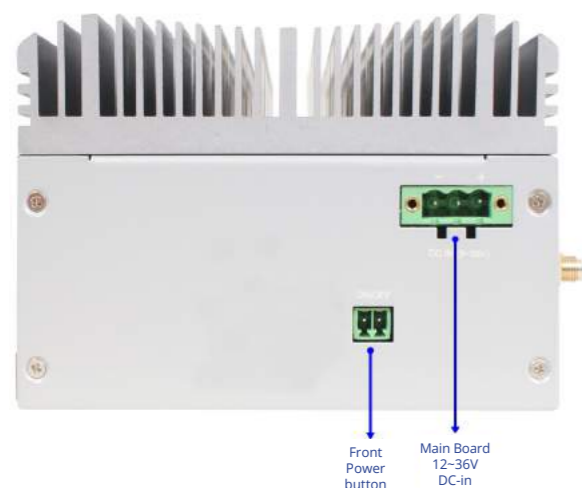
# HM-5000S

Features **intel. FC CE RoHS COMPLIANT**

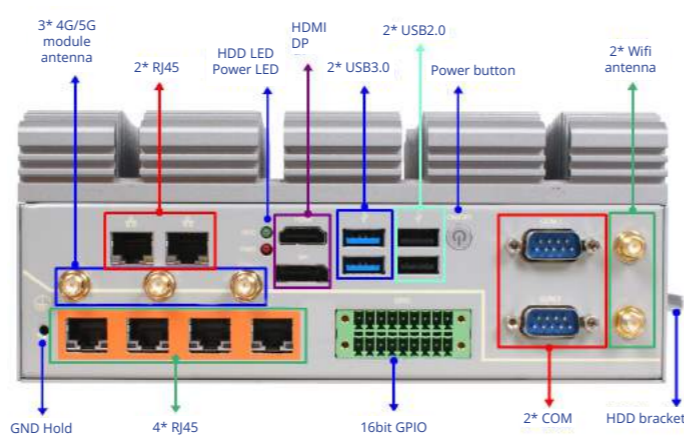
- Intel Gen. 8th/10th Core i U-Series CPU
- 2\* SO-DIMM DDR4 2400/2133 Dram (Max 64GB)
- 2\* RS232/422/485, 6\* GbE
- 16-bit GPIO
- Support 4G/5G (M.2 B Key + Nano SIM Holder) Module, Wi-Fi6 Module (M.2 E Key)
- 12~36V DC-in with OCP/OVP
- Remote Power Switch Design



## Front IO



## Rear IO



## Specifications

<b>Processor</b>	Intel® Whiskey Lake Mobile U series Processor	<b>Power</b>	1~36V DC Power in DC-19V_120W Adapter
<b>Chipset</b>	SoC		
<b>Memory</b>	2* SO-DIMM DDR4 2400/2133 Dram (Max 64GB)	<b>Temperature</b>	Operating : -10°C~50°C Storage : -20°C~70°C
<b>Ethernet</b>	1* Intel® i219LM GbE, 5* Intel® i211AT GbE		
<b>Display Output</b>	1* HDMI, 1* DP		
<b>Storage</b>	1* M.2 (M-key-2242, 2280), 1* 2.5" Device	<b>Dimension</b>	216.8 (W) x 124 (W) x 86 (H) mm
<b>Expansion Slot</b>	1* M.2 (E-key 2230), 1* M.2 (B-key 3042, 3052)		
<b>Front I/O</b>	Side: 1* 3-pin terminal block for Main board, 1* 2-pin power connector		
<b>Rear I/O</b>	2* RS-232/422/485 with DB9 connectors, 1* HDMI, 1* DP, 6* RJ45, 1* GPIO, 2* USB3.0, 2* USB2.0, 1* Power LED, 1* HDD LED, 1* power button (Power LED)		

\*The Specification may be changed without further notice.  
www.jetwayipc.com

# HBJC150F594-Q170-B

Features **intel. FC CE RoHS COMPLIANT**

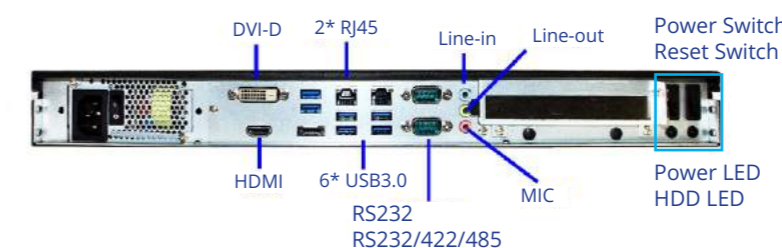
- Intel® LGA1151 Socket 6th/7th Gen. Core i3, i5, i7 & Pentium Processor (Max.65W)
- Support 2\* DDR4 2133MHz SO-DIMM up to 32GB memory
- 2\* USB2.0, 4\* USB3.0, 1\* HDMI, 1\* DP, 2\* RJ45, 1\* MIC, 1\* Line-in, 1\* Line-out
- M/B Form Factor: Mini ITX (170x170mm)
- 1U 250W FLEX PSU Power



## Front IO



## Rear IO



## Specifications

<b>Processor</b>	Intel® LGA1151 Socket 6th/7th Gen. Core i3, i5, i7 & Pentium Processors	<b>Power</b>	90~240V AC input 1U 250W FLEX PSU Power
<b>Chipset</b>	Intel Q170 chipset		
<b>Memory</b>	2 * DDR4 2133MHz SO-DIMM up to 32GB	<b>Temperature</b>	Operating : 0°C~50°C Storage : -10°C~70°C
<b>Ethernet</b>	1 * Intel® i211AT, 1 * Intel® i219LM GbE		
<b>Display Output</b>	1* HDMI 2.0, 1* DP 1.2, 1* DVI-D		
<b>Storage</b>	2* 2.5" SATA, RAID 0 / RAID 1	<b>Dimension</b>	430 (W) x 252 (D) x 44 (H) mm
<b>Expansion Slot</b>	1* Full size Mini PCIe, TPM (optional)		
<b>Front I/O</b>	1* Power button, 1* Reset button, 1* Power LED, 1* HDD LED, 2* USB2.0		
<b>Rear I/O</b>	6* USB 3.0, 1* HDMI, 1* DP, 1* DVI-D, 2* RJ45, 1* MIC, 1* Line-in, 1* Line-out, 1* RS232/422/485, 1* RS232, AC-in, 1* Power Switch, 1* Reset Switch, 1* Power LED, 1* HDD LED		

\*The Specification may be changed without further notice.  
www.jetwayipc.com

# HBJC150F693-H110-B

## Features

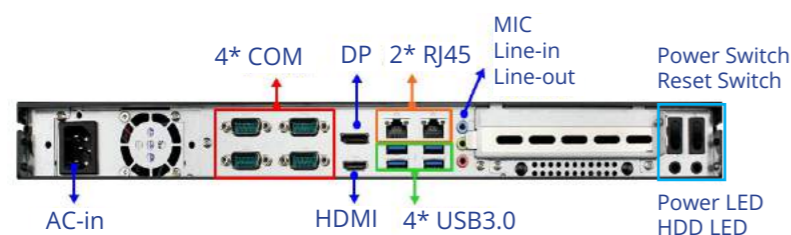
- Intel® LGA1151 Socket 6th/7th Gen. Core i3, i5, i7 & Pentium Processor (Max.65W)
- Support 2\* DDR4 2133MHz SO-DIMM up to 32GB memory
- 2\* USB2.0, 4\* USB3.0, 1\* HDMI, 1\* DP, 2\* RJ45, 1\* MIC, 1\* Line-in, 1\* Line-out
- M/B Form Factor: Mini ITX (170x170mm)
- 1U 250W FLEX PSU Power



## Front IO



## Rear IO



## Specifications

<b>Processor</b>	Intel® LGA1151 Socket 6th/7th Gen. Core i3, i5, i7 & Pentium Processor	<b>Power</b>	90~240V AC input 1U 250W FLEX PSU Power
<b>Chipset</b>	Intel H110 Express chipset		
<b>Memory</b>	2 * DDR4 2133MHz SO-DIMM up to 32GB	<b>Temperature</b>	Operating : 0°C~50°C Storage : -10°C~70°C
<b>Ethernet</b>	2 * Realtek® 8111G GbE		
<b>Display Output</b>	1* HDMI, 1* DP		
<b>Storage</b>	1* M.2 (2242/ 2260), 2* 2.5" SATA, RAID 0 / RAID 1	<b>Dimension</b>	430 (W) x 252 (D) x 44 (H) mm
<b>Expansion Slot</b>	1* half size Mini-PCIe, TPM (optional)		
<b>Front I/O</b>	1* Power button, 1* Reset button, 1* Power LED, 1* HDD LED, 2* USB2.0		
<b>Rear I/O</b>	4* USB 3.0, 1* HDMI, 1* DP, 2* RJ45, 1* MIC, 1* Line-in, 1* Line-out (Realtek ALC662), 4* RS232, AC-in, 1* Power Switch, 1* Reset Switch, 1* Power LED, 1* HDD LED		

\*The Specification may be changed without further notice.  
www.jetwayipc.com

# HBJC150I08-H410-B

## Features

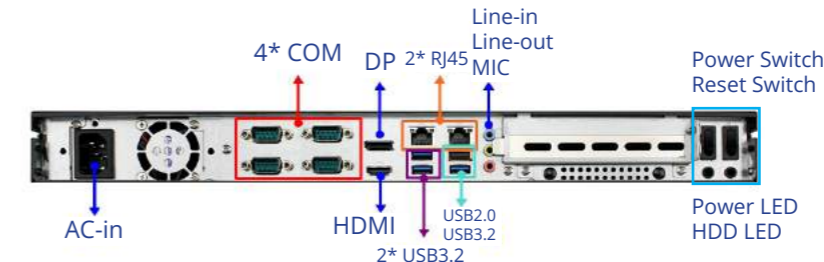
- Intel® 10th LGA1200 Socket Comet Lake-S Processor (Max. 65W TDP)
- Support 2\* DDR4 2666/2400MHz SO-DIMM up to 64 GB
- 3\* USB3.2, 3\* USB2.0, 4\* COM, 1\* HDMI, 1\* DP, 2\* RJ45, 1\* MIC, 1\* Line out, 1\* Line in
- M/B Form Factor : Mini ITX (170x170mm)
- 1U 250W FLEX Power



## Front IO



## Rear IO



## Specifications

<b>Processor</b>	Intel® 10th LGA 1200 Socket Comet Lake-S Processor (Max. 65W TDP)	<b>Power</b>	90~240V AC input 1U 250W FLEX PSU Power
<b>Chipset</b>	Intel H410 chipset		
<b>Memory</b>	2* Dual CH non-ECC DDR4 2666/2400MHz SDRAM SO-DIMM up to 64GB	<b>Temperature</b>	Operating : 0°C~50°C Storage : -10°C~70°C
<b>Ethernet</b>	1* Intel i219V GbE, 1* Intel i211AT GbE		
<b>Display Output</b>	1* HDMI 1.4, 1 * DP		
<b>Storage</b>	1* M.2 (2242/2280/NVMe), 2 * 2.5" or 1 * 3.5" SATA3 6Gb/s internal drive bay	<b>Dimension</b>	430 (W) x 252 (D) x 44 (H) mm
<b>Expansion Slot</b>	1* M.2 E-key 2230 (PCIex1/USB2.0), 1* PCIex16, TPM (optional)		
<b>Front I/O</b>	1* Power button, 1* Reset button, 1* Power LED, 1* HDD LED, 2* USB2.0		
<b>Rear I/O</b>	3* USB 3.2 (Gen. 1), 1* USB 2.0, 1* HDMI 1.4, 1* DP, 2* RJ45, 1* Mic, 1* Line in, 1* Line-out, 4* COM (COM 1 support RS232/422/485), AC-in, 1* Power Switch, 1* Reset Switch, 1* Power LED, 1* HDD LED		

\*The Specification may be changed without further notice.  
www.jetwayipc.com

# HBJC150I92-Q470-V

## Features

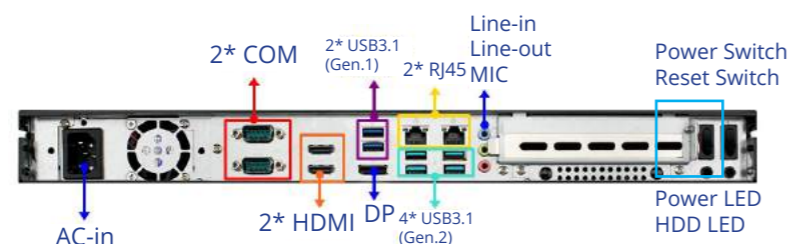
- Intel® 10th LGA1200 Socket Processor (Max. 65W TDP)
- Support 2\* DDR4 2666/2400MHz SO-DIMM up to 32 GB
- 6\* USB3.1, 2\* USB2.0, 2\* COM, 2\* HDMI, 1\* DP, 2\* RJ45, 1\* MIC, 1\* Line out, Line in
- M/B Form Factor : Mini ITX (170x170mm)
- 1U FLEX 250W Power



## Front IO



## Rear IO



## Specifications

<b>Processor</b>	Intel® 10th LGA 1200 Socket Core i7/i5/i3/Pentium/Celeron Processor(Max. 65W TDP)	<b>Power</b>	90~240V AC input 1U 250W FLEX PSU Power
<b>Chipset</b>	Intel Q470 chipset		
<b>Memory</b>	2* Dual CH non-ECC DDR4 2666/2400MHz SDRAM SO-DIMM up to 64GB	<b>Temperature</b>	Operating : 0°C~50°C Storage : -10°C~70°C
<b>Ethernet</b>	1* Intel® i219LM GbE, 1* Intel® i225V 2.5GbE		
<b>Display Output</b>	1* DP, 2* HDMI 1.4		
<b>Storage</b>	2* 2.5" SATA Device, 1* M.2 M-key 2280 (PCIex4/SATA) support NVME	<b>Dimension</b>	430 (W) x 252 (D) x 44 (H) mm
<b>Expansion Slot</b>	1* M.2 E-key (2230, PCIex1/USB2.0 interface) support CNVi, 1* PCIex16 slot		
<b>Front I/O</b>	1* Power button, 1* Reset button, 1* Power LED, 1* HDD LED, 2* USB 2.0		
<b>Rear I/O</b>	2* RJ45, 1* DP, 2* HDMI, 2* COM (RS232/422/485), 6* USB3.2, 1* Line-in, 1* Line-out, 1* MIC, AC-in, 1* Power Switch, 1* Reset Switch, 1* Power LED, 1* HDD LED		

\*The Specification may be changed without further notice.  
www.jetwayipc.com

# HBJC150F792-3160R

## Features

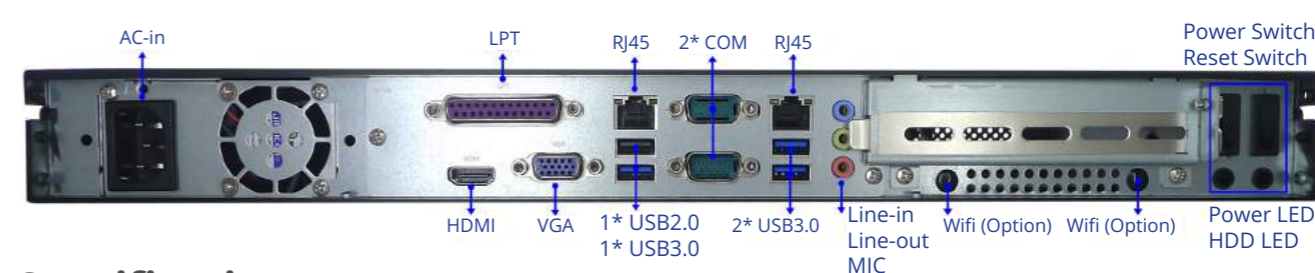
- Intel® Braswell N3160 SoC Processor (TDP 6W)
- Support 2\* Dual-channel DDR3L 1600MHz SO-DIMM up to 8 GB
- Support Intel AES-NI and TPM2.0 (option) to secure customers'data
- Support two displays with 1\* HDMI, 1\* VGA
- 1U 250W FLEX Power



## Front IO



## Rear IO



## Specifications

<b>Processor</b>	Intel® Braswell N3160 SoC Processor (TDP 6W)	<b>Power</b>	90~240V AC input 1U 250W FLEX PSU Power
<b>Chipset</b>	SoC		
<b>Memory</b>	2* Dual CH DDR3L 1600MHz SO-DIMM up to 8GB	<b>Temperature</b>	Operating : 0°C~50°C Storage : -10°C~70°C
<b>Ethernet</b>	2* Realtek RTL8119I GbE		
<b>Display Output</b>	1* HDMI, 1* VGA		
<b>Storage</b>	1* M.2 M-Key (2242/2260, W/SATA interface), 1* 2.5" SATAIII Device	<b>Dimension</b>	430 (W) x 252 (D) x 44 (H) mm
<b>Expansion Slot</b>	1* PCIe, 1* Mini-PCIe (full size)		
<b>Front I/O</b>	1* Power button, 1* Reset button, 1* Power LED, 1* HDD LED, 2* USB2.0		
<b>Rear I/O</b>	1* USB2.0, 3* USB3.0, 1* HDMI, 1* VGA, 1* LPT, 2* RJ45, 1* Line-in, 1* Line-out, 1* MIC, 2* COM ports (COM1 supports RS232/422/485), AC-in, 1* Power Switch, 1* Reset Switch, 1* Power LED, 1* HDD LED		

\*The Specification may be changed without further notice.  
www.jetwayipc.com

# HBJC150LI22-H420B

## Features

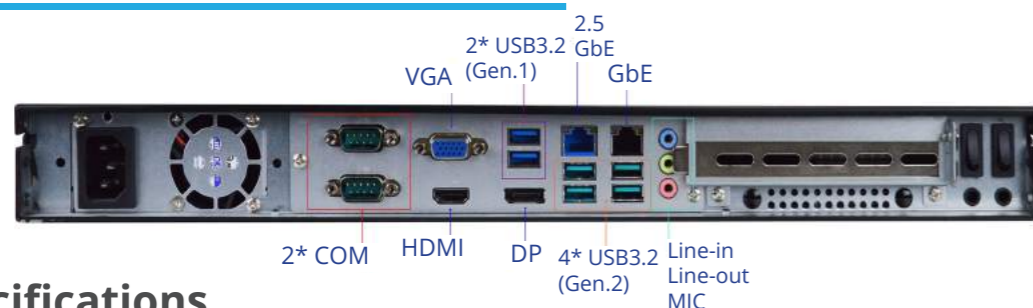
- Intel® LGA1200 Socket support 10th/11th Gen Core™ Processor
- Support 2\* DDR4 3200/2933MHz SO-DIMM up to 64 GB
- 4\* USB3.2 (Gen2), 2\* USB3.2 (Gen1), 2\* USB2.0, 2\* COM, 1\* HDMI, 1\* DP, 1\* VGA, 2\* RJ45, 1\* MIC, 1\* Line out, Line in
- M/B Form Factor : Mini ITX (170x170mm)
- 1U FLEX 250W ATX Power
- Support TPM2.0 (option)



## Front IO



## Rear IO



## Specifications

<b>Processor</b>	Intel® 10th/11th LGA 1200 Socket Core i7/i5/i3/ Pentium/Celeron Processor(Max. 65W TDP)	<b>Power</b>	90~240V AC input 1U 250W FLEX PSU Power
<b>Chipset</b>	Intel H420 chipset	<b>Temperature</b>	Operating : 0°C~50°C Storage : -10°C~70°C
<b>Memory</b>	2* DDR4 3200/2933MHz SDRAM SO-DIMM up to 64GB	<b>Dimension</b>	430 (W) x 252 (D) x 44 (H) mm
<b>Ethernet</b>	1* Intel i219-LM GbE, 1* Intel i226-V 2.5GbE	<b>Expansion Slot</b>	1* M.2 E-key (2230, PCIe x1/USB2.0 interface) support CNVi, 1* PCIe x16 slot
<b>Display Output</b>	1* DP, 1* HDMI, 1* VGA	<b>Front I/O</b>	1* Power button, 1* Reset button, 1* Power LED, 1* HDD LED, 2* USB 2.0
<b>Storage</b>	2* 2.5" SATA Device, 1* M.2 M-key (2242/2280, PCIe x4 interface) support NVMe SSD	<b>Rear I/O</b>	2* RJ45, 1* DP, 1* HDMI, 1* VGA, 2* COM (RS232/422/485), 4* USB3.2 (Gen.2), 2* USB3.2 (Gen.1), 1* Line-in, 1* Line-out, 1* MIC, AC-in, 1* Power Switch, 1* Reset Switch, 1* Power LED, 1* HDD LED

\*The Specification may be changed without further notice.  
www.jetwayipc.com

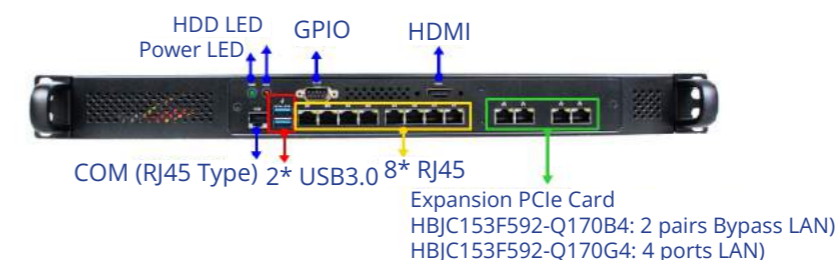
# HBJC153F592-Q170-B

## Features

- 2\* SO-DIMM DDR3L 1333MHz up to 16GB
- 2 \* USB3.0, 8 \* RJ45, 1 \* HDMI, 1 \* COM (RJ-45 type), Onboard TPM (option)
- M/B Form Factor : Thin Mini ITX (170x170mm)
- AC 90~240V\_250W FLEX PSU Power



## Front IO



## Rear IO



## Specifications

<b>Processor</b>	Intel® LGA 1151 Socket 6th/7th Gen. Core i7/i5/i3/Pentium/Celeron Processor	<b>Power</b>	90~240V AC input 1U 250W FLEX PSU Power
<b>Chipset</b>	Intel Q170 chipset	<b>Temperature</b>	Operating : 0°C~50°C Storage : -10°C~70°C
<b>Memory</b>	2 * SO-DIMM slots DDR3L 1333/1066MHz up to 16GB	<b>Dimension</b>	430 (W) x 252 (D) x 44 (H) mm
<b>Ethernet</b>	1* Intel i219LM GbE, 7* Intel i211AT GbE	<b>Expansion Slot</b>	1* Full size Mini-PCIE, TPM (optional)
<b>Display Output</b>	1* HDM	<b>Front I/O</b>	8* RJ45, 2* USB3.0, 1* COM (RJ45 type), 1* PW LED, 1 * Alarm LED, 1* HDMI, 1* GPIO, 4 ports GbE PCIe expansion card: HBJC153F592-Q170G4, 2 pairs of Bypass LAN PCIe expansion card: HBJC153F592-Q170B4
<b>Storage</b>	2 * 2.5" SATA HDD	<b>Rear I/O</b>	1* Power switch, AC-in

\*The Specification may be changed without further notice.  
www.jetwayipc.com

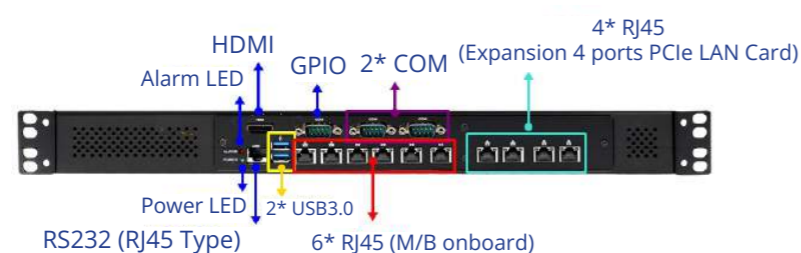
# HBJC153F692-345S

## Features

- Intel® Apollo Lake J3455 SoC Processor
- 1\* DDR3L 1866MHz SO-DIMM up to 8GB
- 2\* USB3.0, 6\* GbE, 1\* RS232(RJ45 type)
- M/B Form Factor: Mini ITX (170x170mm)
- 1U FLEX POWER\_250W
- TPM2.0 (option)



## Front IO



## Rear IO



## Specifications

<b>Processor</b>	Intel® Apollo Lake J3455 Processor	<b>Power</b>	90~240V AC input 1U 250W FLEX PSU Power
<b>Chipset</b>	SoC		
<b>Memory</b>	1 * DDR3L 1866MHz SO-DIMM up to 8GB	<b>Temperature</b>	Operating : 0°C~50°C Storage : -10°C~70°C
<b>Ethernet</b>	6* Intel i211AT GbE (1 pair ByPass GbE)		
<b>Display Output</b>	1* HDMI		
<b>Storage</b>	1* Full size mSATA/Mini-PCI Express shared slot, 1* 2.5" SATAIII Device	<b>Dimension</b>	430 (W) x 252 (D) x 44 (H) mm
<b>Expansion Slot</b>	1 * Full size Mini-PCIe		
<b>Front I/O</b>	6* RJ45, 2* USB3.0, 1* RS232 (RJ45 type), 1* PWR LED, 1* Alarm LED, 1* HDMI, 1* GPIO, 2* COM (optional), 4 ports GbE PCIe expansion card (optional), 2 pairs of Bypass LAN PCIe expansion card (optional)		
<b>Rear I/O</b>	1* Power switch, AC-in		

\*The Specification may be changed without further notice.  
www.jetwayipc.com

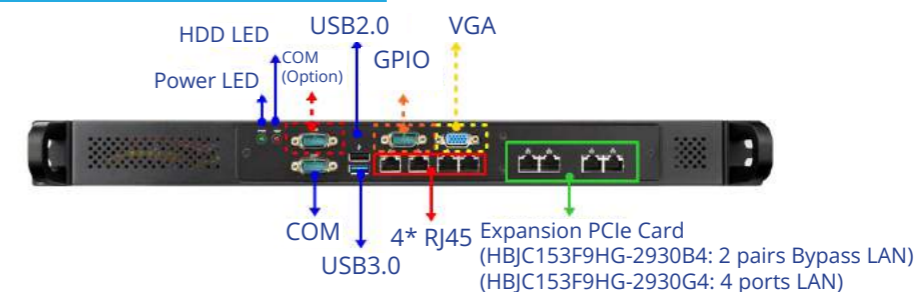
# HBJC153F9HG-2930-B

## Features

- 2\* DDR3L 1333/1066MHz SO-DIMM up to 8GB
- 1\* USB3.0, 4\* RJ45 , 1\* VGA, 2\* COM, 1\* GPIO
- M/B Form Factor : Mini ITX (170x170mm)
- AC 90~240V\_200W FLEX PSU



## Front IO



## Rear IO



## Specifications

<b>Processor</b>	Intel® Bay Trail – M/D/I N2930 Processor	<b>Power</b>	90~240V AC input 1U 250W FLEX PSU Power
<b>Chipset</b>	SoC		
<b>Memory</b>	2* DDR3L 1333/1066MHz SO-DIMM up to 8GB	<b>Temperature</b>	Operating : 0°C~40°C Storage : -10°C~70°C
<b>Ethernet</b>	4* Intel i211AT Gigabit LAN		
<b>Display Output</b>	1* VGA		
<b>Storage</b>	2* 2.5" SATA HDD, 1* Full-size mSATA/mini-PCI Express shared slot	<b>Dimension</b>	430 (W) x 252 (D) x 44 (H) mm
<b>Expansion Slot</b>	1* Full size Mini-PCIe, TPM (optional)		
<b>Front I/O</b>	4* RJ45, 1* USB3.0, 1* VGA, 2* COM (1* option), 1* PW LED, 1* Alarm LED, 1* GPIO, Expansion 4 ports LAN PCI-E Card: HBJC153F9HG-2930G4, Expansion 2 pairs of Bypass LAN PCI-E Card: HBJC153F9HG-2930B4		
<b>Rear I/O</b>	1* Power switch, AC-in		

\*The Specification may be changed without further notice.  
www.jetwayipc.com

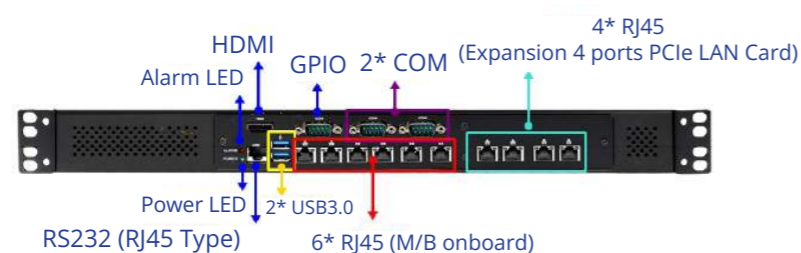
# HBJC153I05 Series

## Features

- Intel® Elkhart Lake SoC Processor
- 1\* DDR4 3200MHz SO-DIMM up to 32GB
- 6\* 10/100/1000/2500 Base-TX Ethernet Ports (support up to 2 pairs ByPass 2.5GbE option)
- 1\* USB 3.1 (Gen.2), 1\* USB 2.0, 1\* HDMI
- 1\* RS232 (RJ45 type), 2\* COM, 1\* GPIO
- 1\* M.2 E-key (2230), 1\* M.2 B-key (3042), 1\* SIM
- 1\* M.2 M-key (2242), 1\* 2.5" SATA Device
- 1U FLEX POWER\_250W



## Front IO



## Rear IO



## Specifications

<b>Processor</b>	Intel® Elkhart Lake J6412 Processor	<b>Power</b>	90~240V AC input 1U 250W FLEX PSU Power
<b>Chipset</b>	SoC		
<b>Memory</b>	1* DDR4 3200MHz SO-DIMM up to 32GB	<b>Temperature</b>	Operating : -10°C~50°C Storage : -20°C~60°C
<b>Ethernet</b>	6* Intel i225-V 2.5GbE		
<b>Display Output</b>	1* HDMI 2.0b		
<b>Storage</b>	1* M.2 M-key (2242) support NVMe, 1* 2.5" SATA Device	<b>Dimension</b>	430 (W) x 252 (D) x 44 (H) mm
<b>Expansion Slot</b>	1* M.2 E Key (2230, USB2.0/PCIe Gen.3 x1 interface), 1* M.2 B Key (3042, USB3.1 interface)		
<b>Front I/O</b>	6* LAN (MB), 4* LAN (Expansion PCIE 4* Lan Card), 1* RS232 (COM1-RJ45 TYPE), 1* HDMI, 2* COM (COM2-RS232/422/485)(COM3-RS232), 1* GPIO, 1* USB3.1, 1* USB2.0, 1* Power LED, 1* Alarm LED		
<b>Rear I/O</b>	1* Power switch, AC-in		

\*The Specification may be changed without further notice.  
www.jetwayipc.com

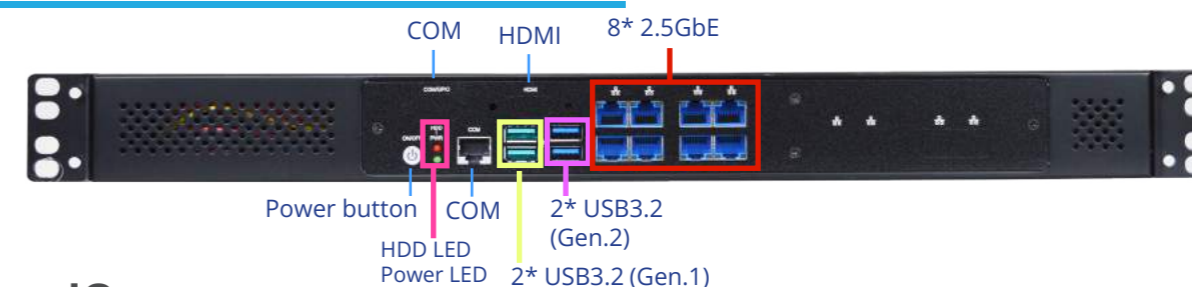
# HBJC153I23-Q670B

## Features

- Intel® LGA1700 supports 12th Gen. Core Processor
- 2\* DDR5 4800MHz SO-DIMM up to 64GB
- 2\* 2.5" SATA HDD device support RAID 0, 1, 5, 10
- 1\* M.2 (M-key, 2242/2280), 1\* M.2 (M-key, 2280), 1\* M.2 (E-key), 1\* M.2 (B-key), 1\* PCIe4
- 8\* 2.5GbE, 2\* USB3.2 (Gen.2), 2\* USB3.2 (Gen.1), 2\* COM
- 1\* HDMI
- ATX Power Input with 24pin ATX + 4pin 12V
- Support TPM2.0 (option)



## Front IO



## Rear IO



## Specifications

<b>Processor</b>	12th LGA1700 Socket Core i7/i5/i3/Pentium/Celeron Processor	<b>Power</b>	ATX Power Input 1U 300W FLEX Power
<b>Chipset</b>	Intel Q670E Chipset		
<b>Memory</b>	2* DDR5 4800MHz SO-DIMM up to 64GB	<b>Temperature</b>	Operating : -10°C~50°C Storage : -20°C~60°C
<b>Ethernet</b>	7* Intel® i226-V 2.5GbE, 1* Intel® i226-LM 2.5GbE		
<b>Display Output</b>	1* HDMI 2.0		
<b>Storage</b>	1* M.2 M-key (2242/2280), 1* M.2 M-key (2280) support NVMe, 2* 2.5" SATA device	<b>Dimension</b>	430 (W) x 252 (D) x 44(H) mm
<b>Expansion Slot</b>	1* M.2 E-key (2230) support CNVi, 1* M.2 B-key (3042) support 4G Module, 1* PCIe x4 slot		
<b>Front I/O</b>	8* RJ45, 2* USB3.2 (Gen.2), 2* USB3.2 (Gen.1), 2* COM (RS232), 1* HDMI, 1* Alarm LED, 1* Power LED		
<b>Rear I/O</b>	AC input, Power SW		

\*The Specification may be changed without further notice.  
www.jetwayipc.com

# HBJC160F699-3758-S

## Features

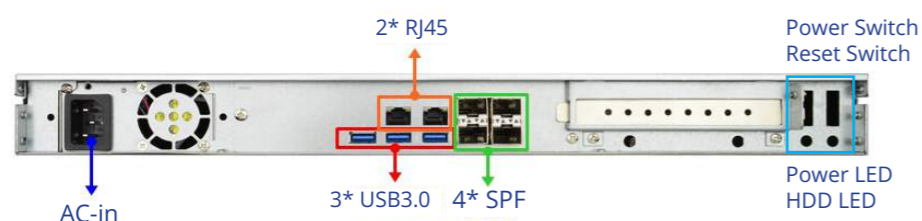
- Intel® Denverton series Processor (TDP 25W)
- Support Registered ECC DDR4-2400MHz DIMM up to 128GB or Unbuffered ECC/Non-ECC DDR4-2400MHz DIMM up to 64GB
- 3\* USB3.0, 2\* RJ45, 4\* 10GbE SFP+, 1\* VGA (option), 2\* COM (option)
- Support TPM (option)
- 4\* 2.5" or 3.5" Drive
- M/B Form Factor : Mini ITX (170x170mm)
- 1U 300W FLEX Power



## Front IO



## Rear IO



## Specifications

<b>Processor</b>	Intel® Denverton Processor (TDP 25W)	<b>Power</b>	90~240V AC input 1U 300W FLEX PSU Power
<b>Chipset</b>	SoC		
<b>Memory</b>	Supports Registered ECC DDR4-2400MHz DIMM up to 128GB or Unbuffered ECC/Non-ECC DDR4-2400MHz DIMM up to 64GB	<b>Temperature</b>	Operating : 0°C~50°C Storage : -10°C~70°C
<b>Ethernet</b>	2* Intel Gigabit LAN		
<b>Display Output</b>	1* VGA		
<b>Storage</b>	4* 2.5" or 3.5" SATA Device, 1* M.2-2242/2260/2280 (for SSD)	<b>Dimension</b>	430 (W) x 452 (D) x 44 (H) mm
<b>Expansion Slot</b>	1* Full-size mini-PCIe slot		
<b>Front I/O</b>	1* Power button, 1* Reset button, 1* Power LED, 1* HDD LED, 2* USB 2.0		
<b>Rear I/O</b>	3* USB 3.0, 2* RJ45, 4* 10GbE SFP+, 1* AC input, 1* VGA (option), 2* COM (option), AC-in, 1* Power Switch, 1* Reset Switch, 1* Power LED, 1* HDD LED		

\*The Specification may be changed without further notice.  
www.jetwayipc.com

# HBJC160F796-Q370-V

## Features

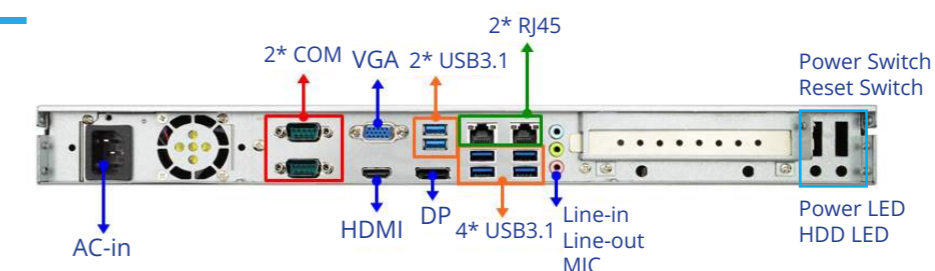
- Intel® 8/9th LGA1151 Socket Processor (Max. 65W TDP)
- 2\* DDR4 2400/2666MHz SO-DIMM up to 64GB
- 6\* USB3.1, 2\* RJ45, 2\* COM
- Support triple displays with 1 \* VGA, 1\* DP, 1\* HDMI
- 4\* SATA Device (RAID 0, 1, 5, 10)
- Optional Onboard TPM 2.0
- M/B Form Factor : Mini ITX (170x170mm)
- 1U 300W FLEX Power



## Front IO



## Rear IO



## Specifications

<b>Processor</b>	Intel® 8/9th Coffee Lake-S LGA1151 Socket Processor (TDP 65W)	<b>Power</b>	90~240V AC input 1U 250W FLEX PSU Power
<b>Chipset</b>	Intel Q370 Express Chipset		
<b>Memory</b>	2* Dual CH DDR4 2400/2666MHz SDRAM SO-DIMM up to 64GB	<b>Temperature</b>	Operating : 0°C~50°C Storage : -10°C~70°C
<b>Ethernet</b>	1* Intel i219LM GbE, 1* Intel i225V 2.5GbE		
<b>Display Output</b>	1* VGA, 1* HDMI, 1* DP		
<b>Storage</b>	4* SATAIII (6Gb/s) support RAID 0, 1, 5, 10, 1* M.2 M-key 2242/2280 (SATA/PCIex4) support NVMe	<b>Dimension</b>	430 (W) x 452 (D) x 44 (H) mm
<b>Expansion Slot</b>	1* M.2 E-key 2230 (PCIex1/USB2.0) support CNVi, 1* PCIex16 slot		
<b>Front I/O</b>	1* Power button, 1* Reset button, 1* Power LED, 1* HDD LED, 2* USB 2.0		
<b>Rear I/O</b>	6* USB 3.1 (4* USB 3.1 (Gen. 2) & 2* USB3.1 (Gen. 1)), 1* VGA, 1* HDMI, 1* DP, 2* RJ45, 2* RS232/422/485, 1* Line-In, 1* Line-Out, 1* MIC, AC-in, 1* Power Switch, 1* Reset Switch, 1* Power LED, 1* HDD LED		

\*The Specification may be changed without further notice.  
www.jetwayipc.com



# HBJC162A2A-Q470

## Features

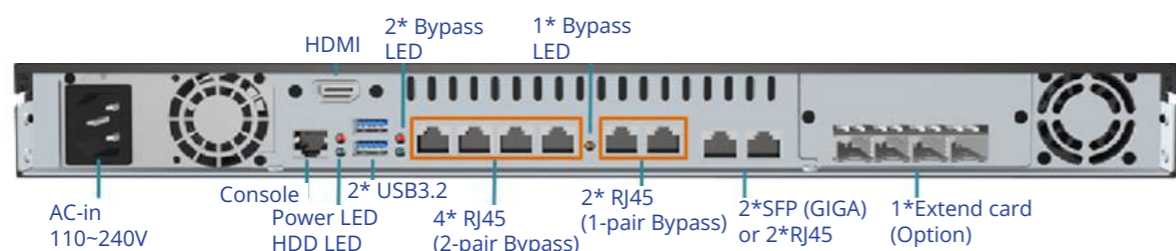
- Intel® LGA1200 Socket supports 10th/11thGen Core™ Processor(Max 65W)  
Intel® Comet Lake Q470E
- 4\* DDR4 2933Hz U-DIMM up to 128GB
- 2\* USB2.0, 2\* USB3.2(Gen.1), 1\* HDMI, 1\* Console (RS232), 6\* GbE + 2\* SFP(GIGA) or 8\* GbE
- AC in: 110-240V



## Front IO



## Rear IO



## Specifications

<b>Processor</b>	Intel® LGA1200 Socket supports 10/11th Gen Processor (Max 65W)	<b>Power</b>	AC 110~240V input
<b>Chipset</b>	Intel Q470E chipset		
<b>Memory</b>	4* DDR4 2933MHz U-DIMM up to 128GB	<b>Temperature</b>	Operating : -10°C~60°C Storage : -20°C~70°C
<b>Ethernet</b>	6* GbE + 2* SFP (GIGA) or 8* GbE		
<b>Display Output</b>	1* HDMI1.4		
<b>Storage</b>	1* M.2 M-key (2280) support NVME, 1* M.2 M-key(2242), 4* SATA	<b>Dimension</b>	430.0 (W) x 600.0 (D) x44.0 (H) mm
<b>Expansion Slot</b>	1* Side PCI-Ex8(PCI-E Gen.4 For Extend Card)		
<b>Front I/O</b>	1* Power button, 1* Reset button, 1* Power LED, 1* HDD LED, 2* USB2.0		
<b>Rear I/O</b>	2* USB3.2(Gen.1), 1* HDMI, 1* Console(RS232), 1* Power LED, 1* HDD LED, 3* BYPASS LED, 6* RJ45 (3Group BYPASS), 2* SFP, 2* RJ45, 1* Extend LAN Card, 1* AC in		

\*The Specification may be changed without further notice.  
www.jetwayipc.com

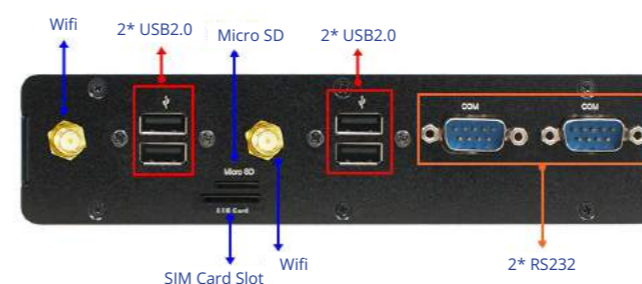
# HBJC366R3399-2C

## Features

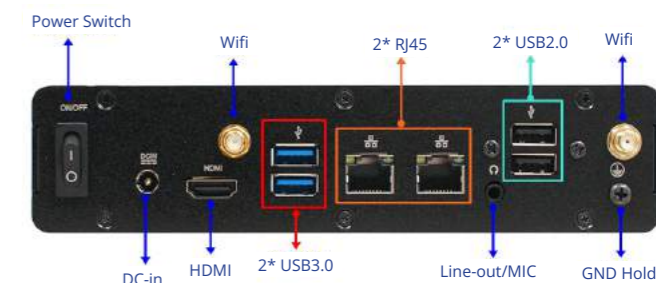
- Rockchip® ARM Cortex A72 (Dual core) + Cortex A53 (Quad core) RK3399 SoC Processor
- Onboard 2GB 1333MHz DDR3L DRAM
- Onboard 16GB EMMC
- 1\* HDMI, 2\* USB3.0, 6\* USB2.0, 1\* GbE, 1\*10/100Mbps LAN, 1\* Audio Jack, 1\* DC Jack, 1\* Power Button
- M/B Form Factor: 3.5" SBC (148x102mm)
- 1\* 12V DC in
- Support Android 7.1/10, Debian9.0



## Front IO



## Rear IO



## Specifications

<b>Processor</b>	Rockchip® ARM Cortex A72(Dual core) + Cortex A53 (Quad core) Processor	<b>Power</b>	DC 12V input
<b>Chipset</b>	Rockchip® RK3399 SoC		
<b>Memory</b>	Onboard 1333MHz 2GB DDR3L DRAM Max.2GB	<b>Temperature</b>	Operating : -10°C~60°C Storage : -20°C~70°C
<b>Ethernet</b>	1* Realtek RTL8211E GbE, 1* Realtek RTL8152B-VB 10/100Mbps		
<b>Display Output</b>	1* HDMI		
<b>Storage</b>	Onboard 16GB eMMC Max. 64GB	<b>Dimension</b>	184 (W) x 106 (D) x 44 (H) mm
<b>Expansion Slot</b>	N/A		
<b>Front I/O</b>	4* USB 2.0, 2* RS232, 1* Micro SD, 1* SIM Card socket, 2* Antenna		
<b>Rear I/O</b>	2* USB 3.0 (1* OTG-Option), 2* USB 2.0, 1* HDMI, 2* RJ45, 1* Audio Jack (Line-out +MIC), 2* Antenna		

\*The Specification may be changed without further notice.  
www.jetwayipc.com

PICO-ITX  
NUC  
3.5"  
Mini-ITX  
Desktop  
Network  
Expand  
WT  
WV  
Hummer  
Rackmount  
ARM

PICO-ITX  
NUC  
3.5"  
Mini-ITX  
Desktop  
Network  
Expand  
WT  
WV  
Hummer  
Rackmount  
ARM

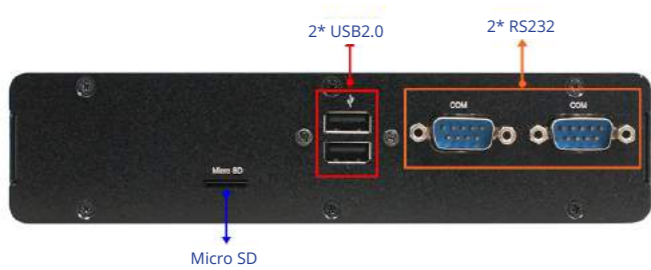
# HBJC366R3399L-2C

Features    

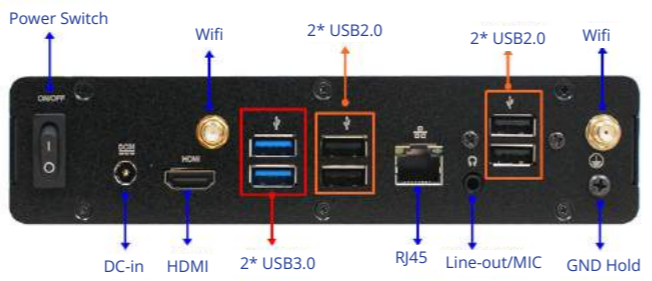
- Rockchip® ARM Cortex A72 (Dual core) + Cortex A53 (Quad core) RK3399 SoC Processor
- Onboard 2GB 1333MHz DDR3L DRAM
- Onboard 16GB EMMC
- 1\* HDMI, 2\* USB3.0, 6\* USB2.0, 1\* GbE, 1\* Audio Jack, 1\* DC Jack, 1\* Power Button
- M/B Form Factor: 3.5" SBC (148x102mm)
- 1\* 12V DC in
- Support Android 7.1/10, Debian9.0



## Front IO



## Rear IO



## Specifications

<b>Processor</b>	Rockchip® ARM Cortex A72(Dual core) + Cortex A53 (Quad core) Processor	<b>Power</b>	DC 12V input
<b>Chipset</b>	Rockchip® RK3399 SoC		
<b>Memory</b>	Onboard 1333MHz 2GB DDR3L DRAM Max.2GB	<b>Temperature</b>	Operating : -10°C~60°C Storage : -20°C~70°C
<b>Ethernet</b>	1* Realtek RTL8211E GbE		
<b>Display Output</b>	1* HDMI		
<b>Storage</b>	Onboard 16GB eMMC Max. 64GB	<b>Dimension</b>	184 (W) x 106 (D) x 44 (H) mm
<b>Expansion Slot</b>	N/A		
<b>Front I/O</b>	2* USB 2.0, 2* RS232, 1* Micro SD		
<b>Rear I/O</b>	2* USB 3.0 (1* OTG-Option), 4* USB 2.0, 1* HDMI (Max. Resolution: 3840 x 2160@60Hz), 1* RJ45, 1* Audio Jack (Line-out +MIC), 2* Antenna		

\*The Specification may be changed without further notice. www.jetwayipc.com

# HBJC923R3328DG2NL

Features    

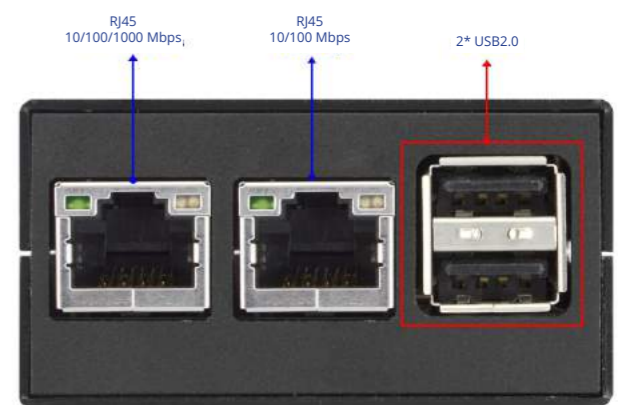
- Rockchip® A53 RK3328 Quad-core 1.5GHz
- Onboard DR3L 1333MHz 2GB DRAM
- 8G Flash ROM (Max. 32GB)
- Support 1\* GbE and 1\* 10/100M LAN
- 1\* Micro SD Socket (Max 64G), 2\* USB2.0, 1\* OTG/DC-in, 1\* HDMI, 1\* Line-out
- Support Android 7.1
- 5V DC-in



## Front IO



## Rear IO



## Specifications

<b>Processor</b>	Rockchip® ARM Cortex A53 RK3328 SoC Processor	<b>Power</b>	AC 100~240V input DC 5V-15W Adapter
<b>Chipset</b>	Rockchip® RK3328 SoC		
<b>Memory</b>	DDR3L 1333MHz 2GB	<b>Temperature</b>	Operating : -10°C~60°C Storage : -20°C~65°C
<b>Ethernet</b>	1* Realtek RTL8211F-CG GbE, 1* internal FE PHY		
<b>Display Output</b>	1* HDMI		
<b>Storage</b>	8GB Flash (Max. 32GB)	<b>Dimension</b>	60.5(D) x 94.4(W) x 33.6(H) mm
<b>Expansion Slot</b>	N/A		
<b>Front I/O</b>	N/A		
<b>Rear I/O</b>	2* USB2.0, 1* Line-out, 2* RJ45, 1* HDMI, 1* OTG/5V DC-in, 1* Micro SD Socket		

\*The Specification may be changed without further notice. www.jetwayipc.com

PICO-ITX  
NUC  
3.5"  
Mini-ITX  
Desktop  
Network  
Expand  
WT  
WV  
Hummer  
Rackmount  
ARM

PICO-ITX  
NUC  
3.5"  
Mini-ITX  
Desktop  
Network  
Expand  
WT  
WV  
Hummer  
Rackmount  
ARM

# HBJC923R3328DG2NS

Features    

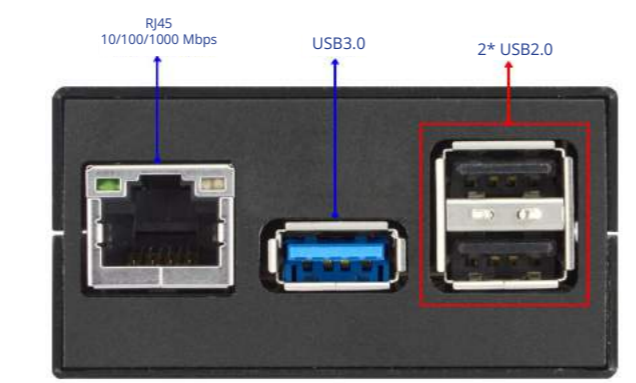
- Rockchip® A53 RK3328 Quad-core 1.5GHz
- Onboard DDR3L 1333MHz 2GB DRAM
- 8G Flash ROM (Max. 32GB)
- Support 1\* GbE, 1\* Micro SD Socket (Max 64G), 1\* USB3.0, 2\* USB2.0, 1\* OTG/DC-in, 1\* HDMI, 1\* Line-out
- Support Android 7.1
- 5V DC-in



## Front IO



## Rear IO



## Specifications

<b>Processor</b>	Rockchip® ARM Cortex A53 RK3328 SoC Processor	<b>Power</b>	AC 100~240V input DC 5V_15W Adapter
<b>Chipset</b>	Rockchip® RK3328 SoC	<b>Temperature</b>	Operating : -10°C~60°C Storage : -20°C~65°C
<b>Memory</b>	DDR3L 1333MHz 2GB	<b>Dimension</b>	60.5(D) x 94.4(W) x 33.6(H) mm
<b>Ethernet</b>	1* Realtek RTL8211F-CG GbE		
<b>Display Output</b>	1* HDMI		
<b>Storage</b>	8GB Flash (Max. 32GB)		
<b>Expansion Slot</b>	N/A		
<b>Front I/O</b>	N/A		
<b>Rear I/O</b>	1* USB3.0, 2* USB2.0, 1* Line-out, 1* RJ45, 1* HDMI, 1* OTG/5V DC-in, 1* Micro SD Socket		

\*The Specification may be changed without further notice.  
www.jetwayipc.com

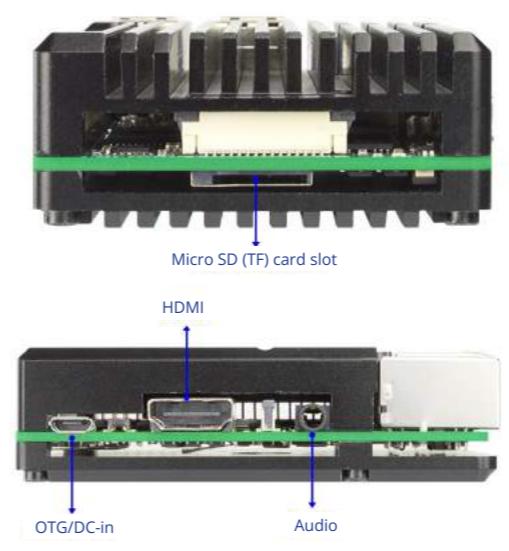
# HBJC924R3288DG2NS

Features    

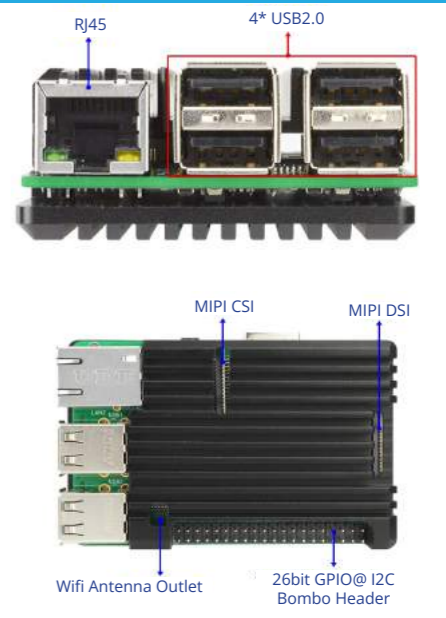
- Rockchip® ARM Cortex A17 RK3288 Quad-core 1.8GHz
- Onboard DDR3L 1333MHz 2GB SDRAM
- Onboard 8G Flash ROM up to 64GB
- 1\* Realtek® GbE, 1\* 802.11b/g/n 2.4G WIFI and BT-V4.0
- 1\* Micro SD(Max. 64G), 4\* USB2.0, 1\* OTG, 1\* GPIO, 1\* HDMI, 1\* Audio
- Support Android 5.1, Linux Debian 9.0
- 5V DC-in



## Front IO



## Rear IO



## Specifications

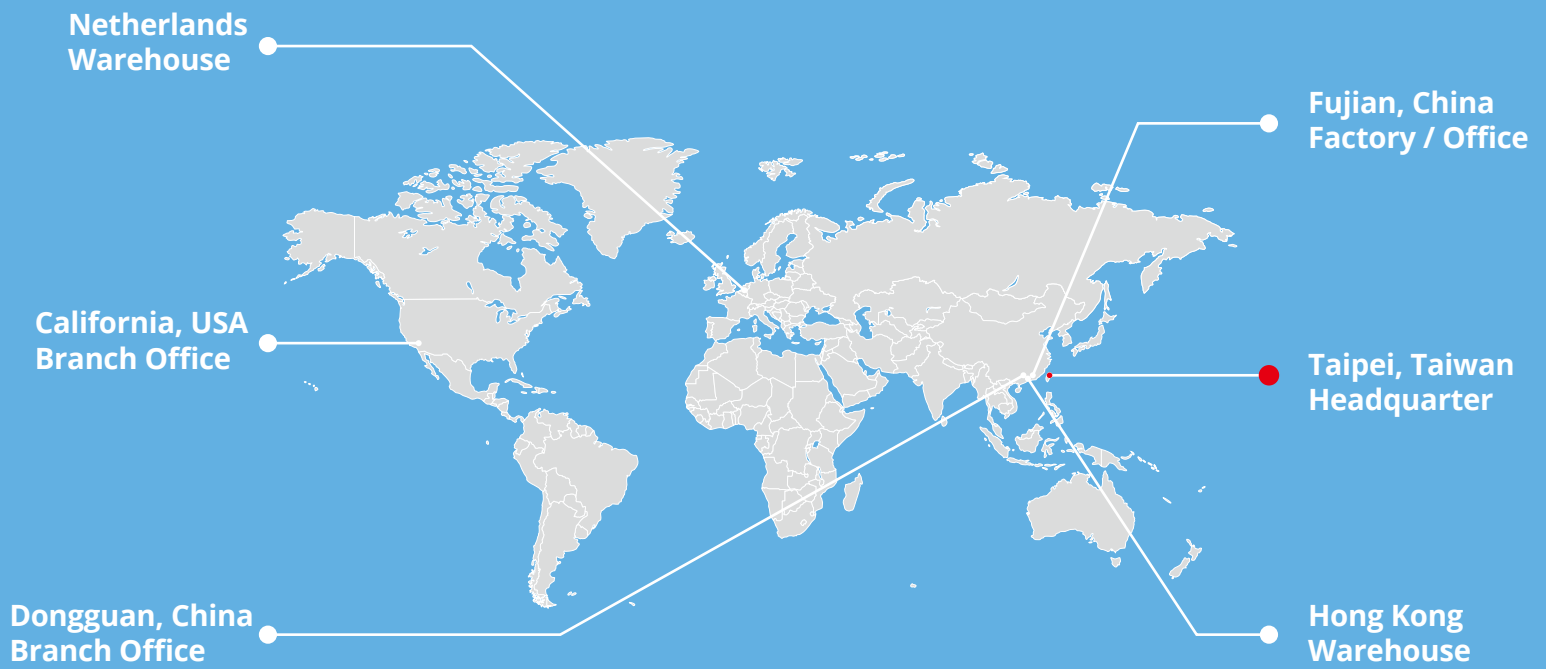
<b>Processor</b>	Rockchip® ARM Cortex A17 RK3288 Processor	<b>Power</b>	100~240V AC Power in DC-5V_15W Adapter
<b>Chipset</b>	Rockchip® RK808-B	<b>Temperature</b>	Operating : -10°C~60°C Storage : -20°C~65°C
<b>Memory</b>	Onboard DDR3L 1333MHz 2GB SDRAM	<b>Dimension</b>	56(D) x 87(W) x 22.9(H) mm
<b>Ethernet</b>	1* REALTEK RTL8211E-VB GbE		
<b>Display Output</b>	1* HDMI		
<b>Storage</b>	8GB Flash (Max 64GB)		
<b>Expansion Slot</b>	N/A		
<b>Front I/O</b>	1* OTG / DC Jack, 1* HDMI, 1* Audio		
<b>Rear I/O</b>	1* RJ45, 4* USB2.0, 1* Micro SD Socket (Front) Internal: 26bit GPIO, 1* I2C, 1* MIPI DSI, 1* MIPI CSI		

\*The Specification may be changed without further notice.  
www.jetwayipc.com

**Note :**



捷波資訊股份有限公司  
JETWAY INFORMATION CO., LTD.



### Taiwan (Taipei)

9F., No. 207, Sec. 3, Beixin Rd.,  
Xindian Dist., New Taipei City, 23143,  
Taiwan (R.O.C)  
Tel: +886-2-89132711  
Fax: +886-2-89132722

### China (Dongguan)

No. 605, 8th Commercial Office Building,  
Vanke Center, Changqing South Road,  
Changan, Dongguan City, 523850, China  
Tel: +86-769-2101-8010  
Mobile : +86-138-2880-2876

### Factory (Fujian)

North Industrial Park, Changshan Economic  
Development Zone, Yunxiao County,  
Zhangzhou, Fujian Province 363307, China  
Tel: +86-596-8625168

All brand names and products are registered trademarks of their respective companies.



Z-A129-F